



Architect/Engineering Specifications:

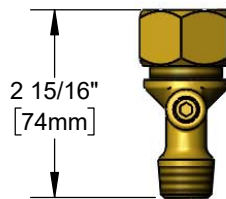
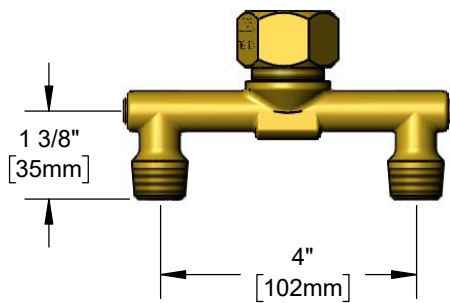
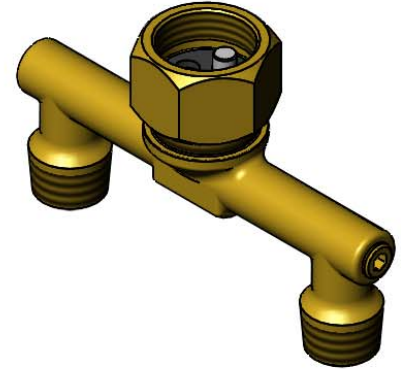
4" brass spreader assembly with spreader coupling nut and washer and 1/2" NPT male inlets. Certified to ASME A112.18.1/CSA B125.1, NSF 61-Section 9, NSF 372.

Job Name _____

Model Specified _____ Quantity _____

Variations Specified _____

Date _____



Features & Benefits:

- 4" brass spreader assembly with washer
- For T&S single hole deck mount pre-rinse faucets
- 1/2" NPT male inlets
- Spreader coupling nut
- Material: Brass body

Product Compliance:

- ASME A112.18.1 / CSA B125.1
- NSF 61 - Section 9
- NSF 372 (Low Lead Content)



Warranty: One Year (Limited)

Performance Data:

- N/A

