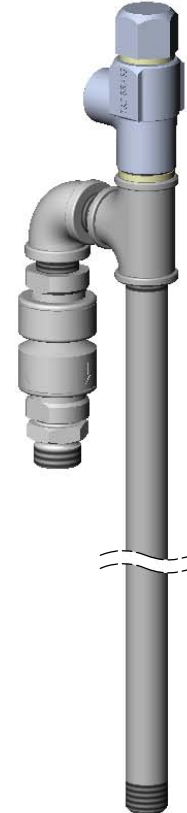
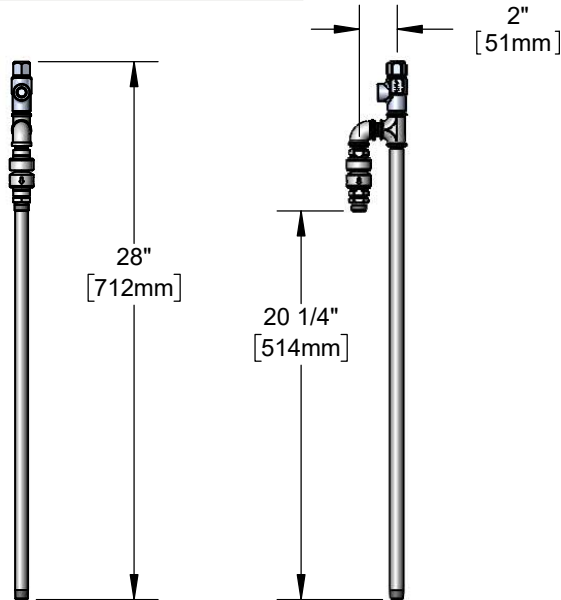




Architect/Engineering Specifications:

Polished chrome plated brass riser assembly with 24" riser, swivel tee, vacuum breaker, 1/4-18 NPT female outlet and 3/4-14 UN adapter outlet. Certified to ASME A112.18.1/CSA B125.1, NSF 61-Section 9, NSF 372 and CSA B64.8.

Job Name _____
 Model Specified _____ Quantity _____
 Variations Specified _____
 Date _____



Features & Benefits:

- 24" riser
- Swivel elbow assembly
- Swivel tee
- 3/8" NPT Vacuum Breaker
- 3/8" x 3/4-14 UN adapter outlet
- Material: Polished chrome plated brass

Product Compliance:

- ASME A112.18.1 / CSA B125.1
- NSF 61 - Section 9
- NSF 372 (Low Lead Content)
- CSA B64.8 (VB)



Warranty: One Year (Limited)

Performance Data:

- Pressure: 20 - 125 psi
- Temperature: 40 °F - 140 °F
- Flow Rate: 7.27 GPM @ 60 psi

