



T&S BRASS AND BRONZE WORKS, INC.
 2 Saddleback Cove / P.O. Box 1088
 Travelers Rest, SC 29690

Model No.
018543-45

Item No.

Travelers Rest, SC: 800-476-4103 • Simi Valley, CA: 800-423-0150 • Fax: 864-834-3518 • www.tsbrass.com

This Space for Architect/Engineer Approval

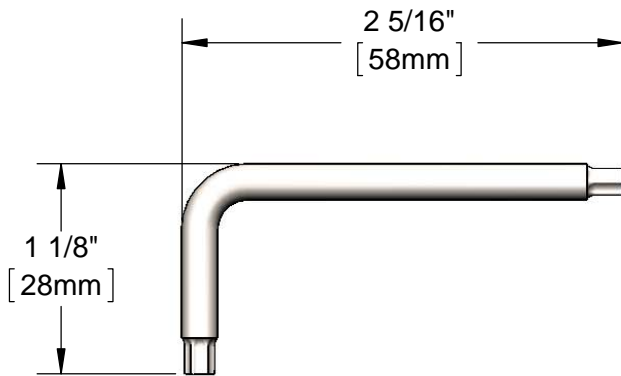
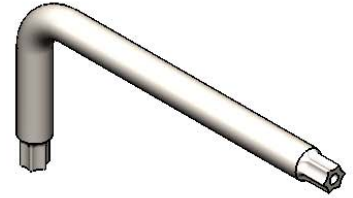
Job Name _____ Date _____

Model Specified _____ Quantity _____

Customer/Wholesaler _____

Contractor _____

Architect/Engineer _____



T20 Pin-In-Torx Drive
 (Both Ends)

DETAIL A
 SCALE 2 : 1

Product Specifications:
 Vandal Resistant T20 Pin-In-Torx L-Key

Drawn GEF	Checked DMH	Approved JHB
Scale: 1:1		Date: 11/01/12