



T&S BRASS AND BRONZE WORKS, INC.

2 Saddleback Cove / P.O. Box 1088
Travelers Rest, SC 29690

Model No.

B-1912-01

Item No.

Travelers Rest, SC: 800-476-4103 • Simi Valley, CA: 800-423-0150 • Fax: 864-834-3518 • www.tsbrass.com

This Space for Architect/Engineer Approval

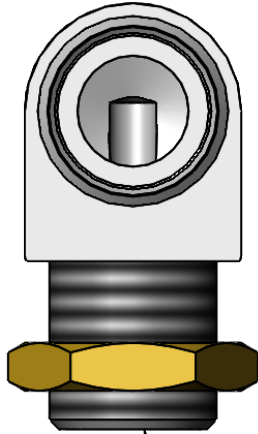
Job Name _____ Date _____

Model Specified _____ Quantity _____

Customer/Wholesaler _____

Contractor _____

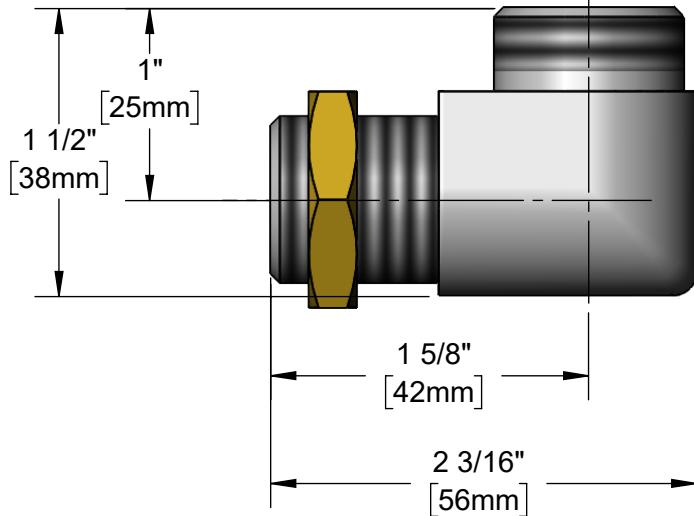
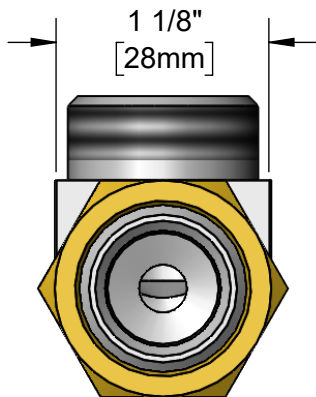
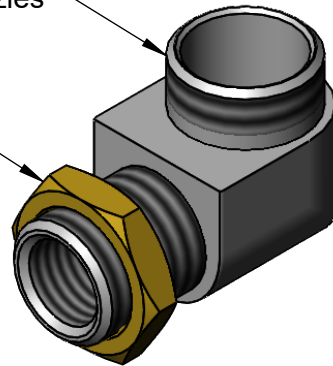
Architect/Engineer _____



3/8" NPT Female Inlet

Swivel Outlet Fits all
T&S Swing Nozzles

Brass Locknut



Rough-In Requirement: 1" [25mm] Mounting Hole

Product Specifications:

90 Deg Elbow with Brass Locknut, Swivel Outlet and 3/8" NPT Female Inlet

Product Compliance:

ASME A112.18.1 / CSA B125.1
NSF 61 - Section 9
NSF 372 (Low Lead Content)