



Architect/Engineering Specifications:

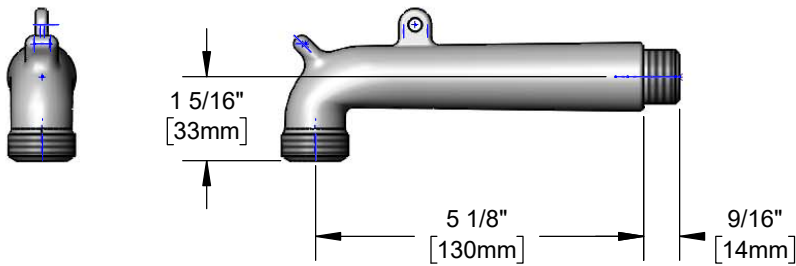
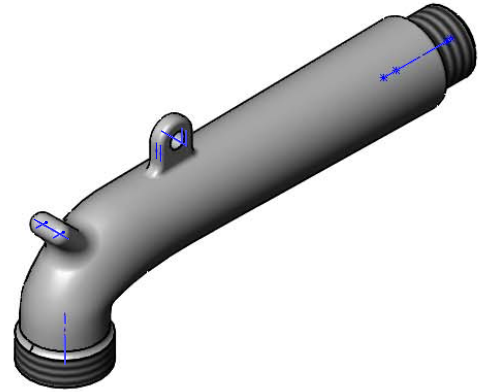
Rough chrome plated spout, upper support rod connection, garden hose outlet and 1/2" NPT male inlet. Certified to NSF 61-Section 9 and NSF 372.

Job Name \_\_\_\_\_

Model Specified \_\_\_\_\_ Quantity \_\_\_\_\_

Variations Specified \_\_\_\_\_

Date \_\_\_\_\_



Features & Benefits:

- Rough chrome plated brass spout
- 1/2" NPT male inlet
- Male Garden Hose outlet
- Upper support rod connection
- Material: Rough chrome plated brass

Product Compliance:

- NSF 61 - Section 9
- NSF 372 (Low Lead Content)



Warranty: One Year (Limited)



Performance Data:

- N/A

