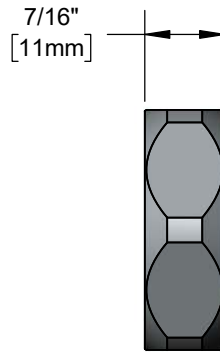
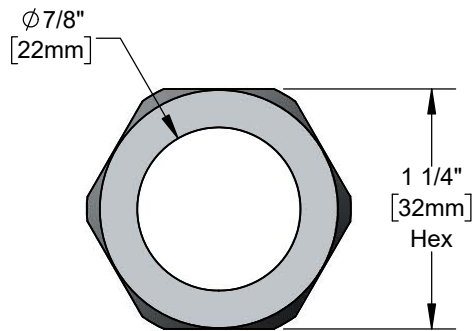
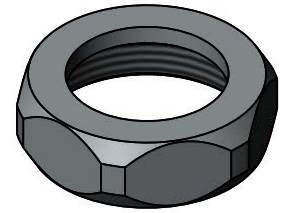




Architect/Engineering Specifications:

Polished chrome plated swivel nut with 1.165-18 UN female thread.

Job Name _____
 Model Specified _____ Quantity _____
 Variations Specified _____
 Date _____



Features & Benefits:

- Swivel Nut
- 1.165-18 UN female thread
- Material: Polished chrome plated brass

Product Compliance:

- N/A

Warranty: One Year (Limited)

Performance Data:

- N/A

