



T&S BRASS AND BRONZE WORKS, INC.

2 Saddleback Cove / P.O. Box 1088
Travelers Rest, SC 29690

Model No.

BL-5550-31

Item No.

Travelers Rest, SC: 800-476-4103 • Simi Valley, CA: 800-423-0150 • Fax: 864-834-3518 • www.tsbrass.com

This Space for Architect/Engineer Approval

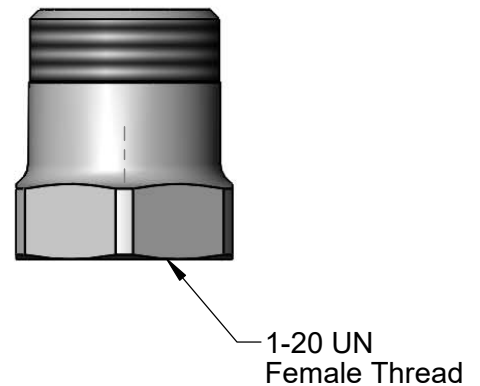
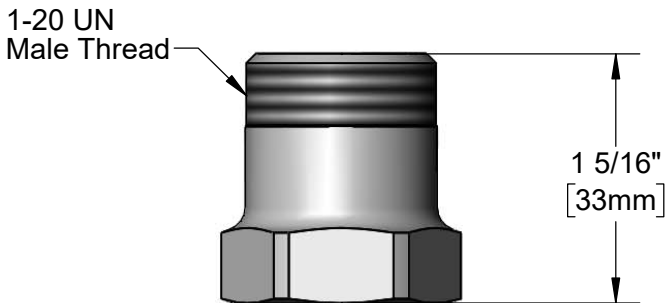
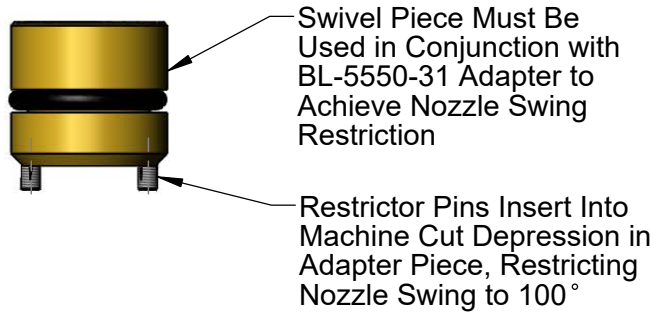
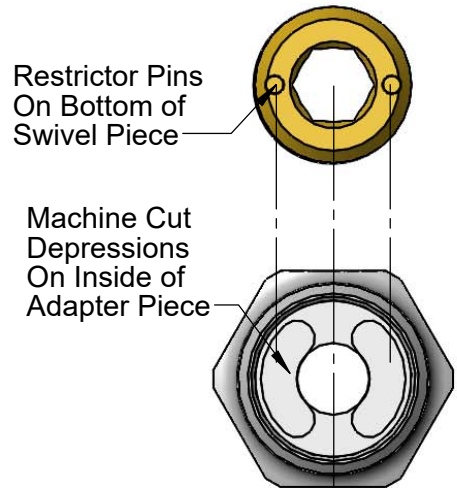
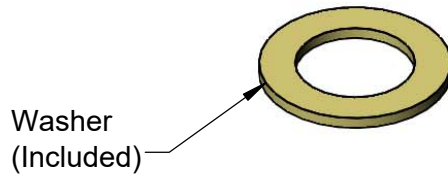
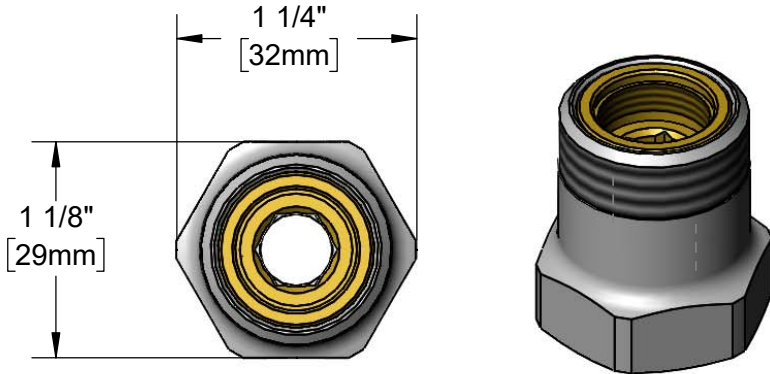
Job Name _____ Date _____

Model Specified _____ Quantity _____

Customer/Wholesaler _____

Contractor _____

Architect/Engineer _____



Product Specifications:
Chrome Plated Brass 1-20 UN Female X 1-20 UN Male Swivel to Restricted Swivel Adapter

Product Compliance:
NSF 61 - Section 9
NSF 372 (Low Lead Content)



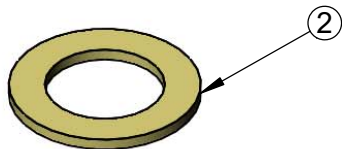
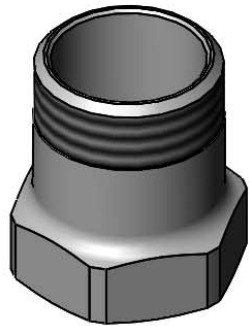
T&S BRASS AND BRONZE WORKS, INC.
2 Saddleback Cove / P.O. Box 1088
Travelers Rest, SC 29690

Model No.
BL-5550-31

Item No.

Travelers Rest, SC: 800-476-4103 • Simi Valley, CA: 800-423-0150 • Fax: 864-834-3518 • www.tsbrass.com

ITEM NO.	SALES NO.	DESCRIPTION
1	001074-45	O-Ring
2	001049-45	Washer



Product Specifications:
Chrome Plated Brass 1-20 UN Female X 1-20 UN Male Swivel to Restricted Swivel Adapter

Product Compliance:
NSF 61 - Section 9
NSF 372 (Low Lead Content)