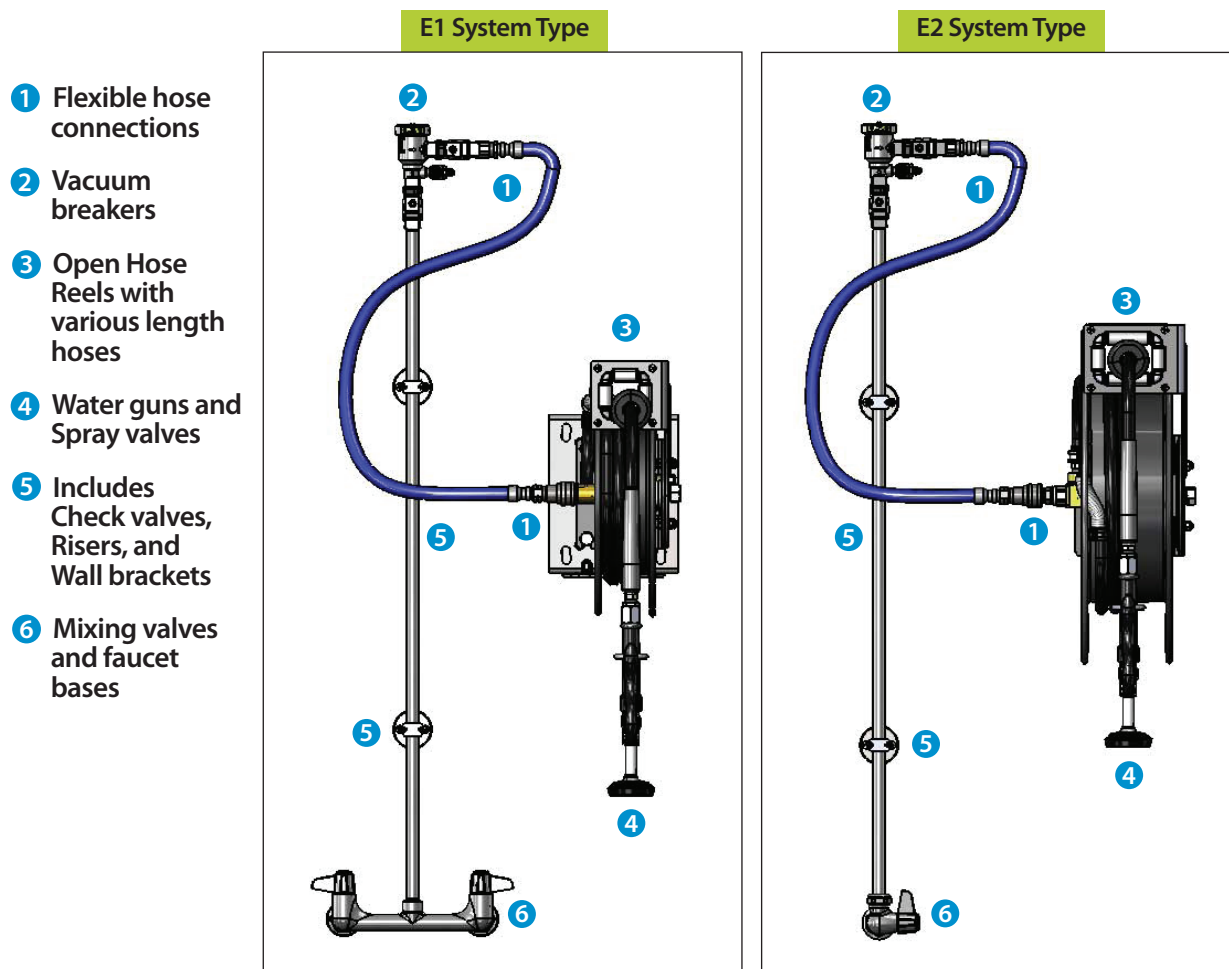


equip Complete Hose Reel Systems



The equip solution to ensure code compliance and efficiency

*We offer a wide selection of
equip Complete Hose Reel System models*



*equip can help you configure a custom system
based on your needs with a wide variety of options*

For more information about our new Equip Hose Reel Systems and a list of available models, see the *Smart Model Key for Equip Complete Hose Reel Systems* on the back of this flyer.

Smart Model Key for Equip Complete Hose Reel Systems

Example:

5HR - 2 3 2 - 01 X E1

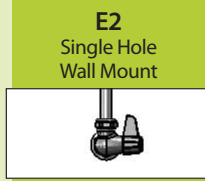
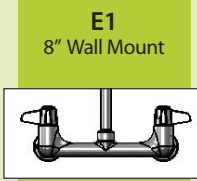
Hose Reel
 222 = 25' x 3/8"
 232 = 35' x 3/8"
 242 = 50' x 3/8"
 342 = 50' x 1/2"

Spray Outlet, Connector and Adapter
 -01 = 5SV-WH
 -09 = 5WG-1000-01
 -12 = EMV-0522-24
 -GH = Garden Hose Connector
 -01GH = 5SV-WH and Garden Hose Connector

Mounting Brackets
 P = Pivot/Ceiling Bracket
 W = Wall Swing Bracket
 T = Table Leg Bracket
 X = No Bracket

System Type*
 E1 = 8" Wall Mount with in-line check valves (System 1)
 E2 = Single Hole Wall Mount (System 2)

*System Type:



Model (for example): 5HR-232-01WE1

5HR-242-01XE2

Spray Outlet, Connectors and Adapters



Available Models:

Equip Hose Reel Systems Models		
5HR-232-01WE1	5HR-232-01XE2	5HR-242-01XE1
5HR-232-01WE2	5HR-242-01WE1	5HR-242-01XE2
5HR-232-01XE1	5HR-242-01WE2	

