



T&S BRASS AND BRONZE WORKS, INC.
 2 Saddleback Cove / P.O. Box 1088
 Travelers Rest, SC 29690

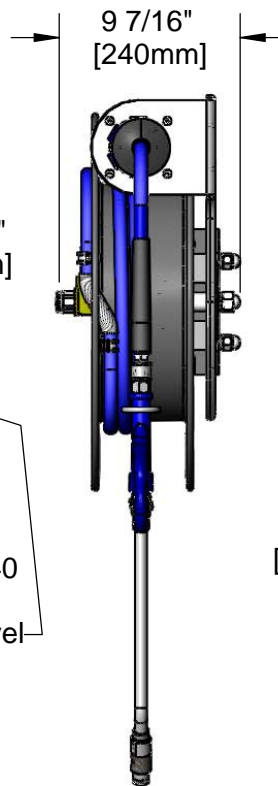
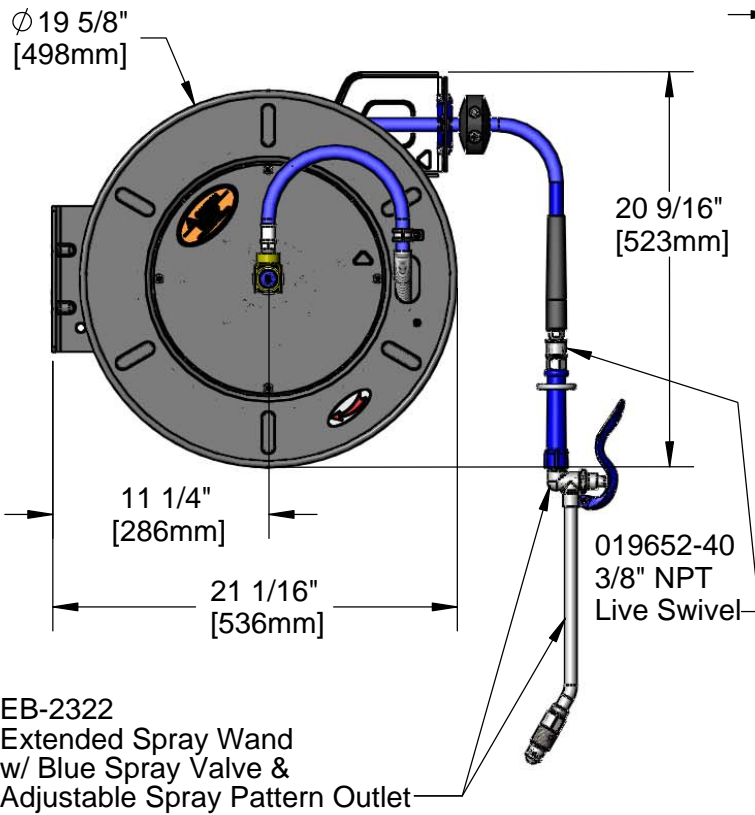
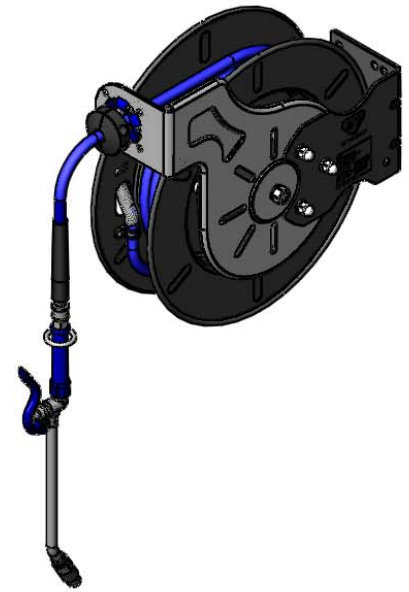
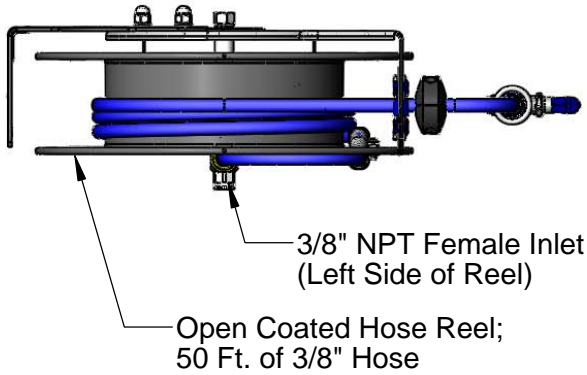
Model No.
B-7242-10

Item No.

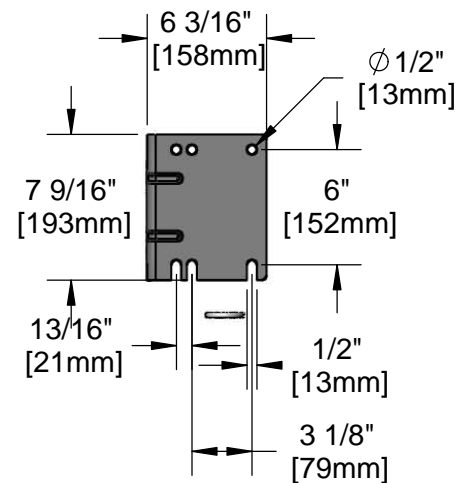
Travelers Rest, SC: 800-476-4103 • Simi Valley, CA: 800-423-0150 • Fax: 864-834-3518 • www.tsbrass.com

This Space for Architect/Engineer Approval

Job Name _____ Date _____
 Model Specified _____ Quantity _____
 Customer/Wholesaler _____
 Contractor _____
 Architect/Engineer _____



Mounting Hole Details



Product Specifications:
 3/8" x 50 Ft. Open Coated Reel w/ Extended Spray Wand & Blue Spray
 Valve w/ Swivel

Product Compliance:
 NSF 61 Exempt (Non-Potable)
 EPA Act 2005 Non-Compliant (PRSV)



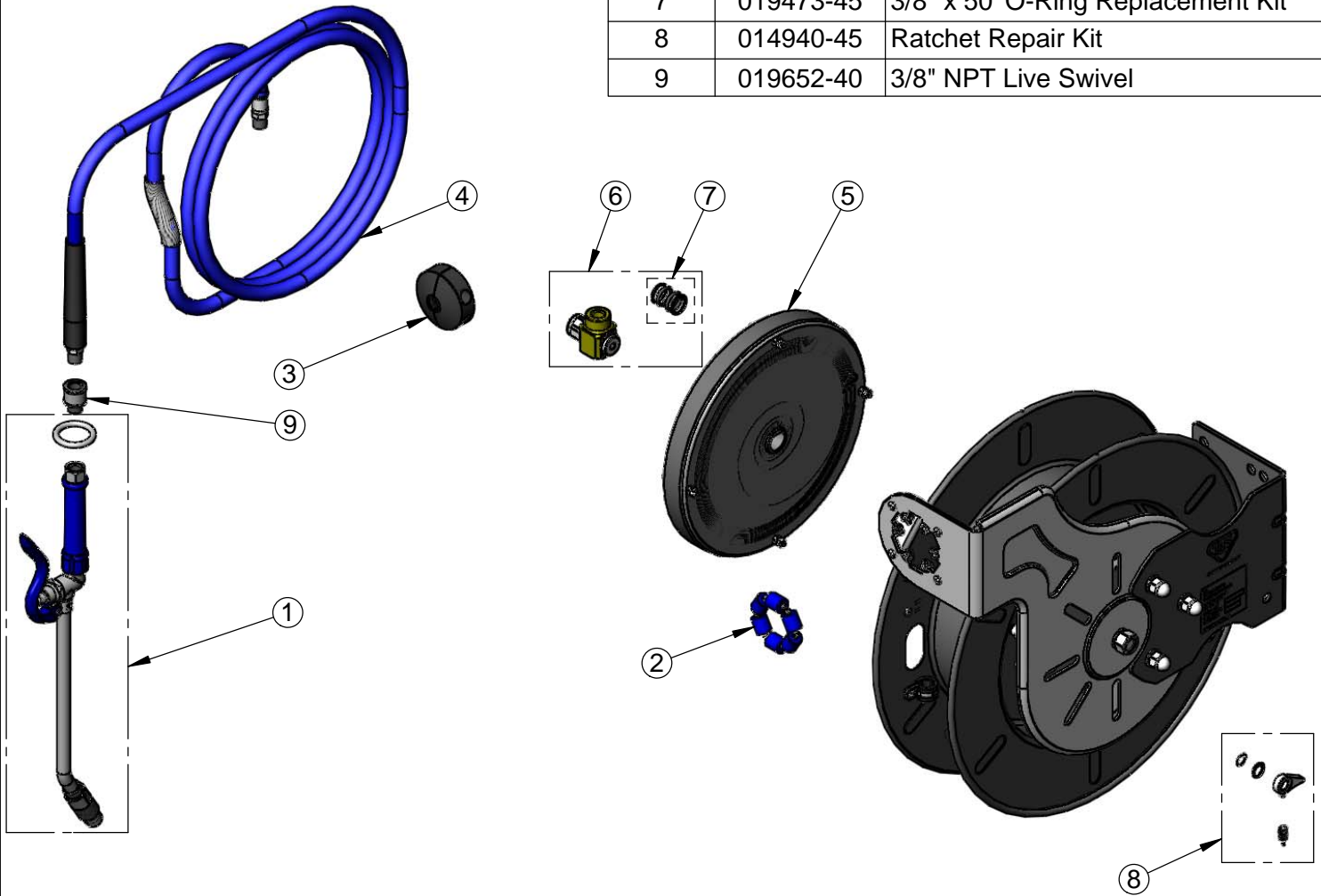
T&S BRASS AND BRONZE WORKS, INC.
 2 Saddleback Cove / P.O. Box 1088
 Travelers Rest, SC 29690

Model No.
B-7242-10

Item No.

Travelers Rest, SC: 800-476-4103 • Simi Valley, CA: 800-423-0150 • Fax: 864-834-3518 • www.tsbrass.com

ITEM NO.	SALES NO.	DESCRIPTION
1	EB-2322	Extended Wand Spray Valve
2	014938-45	Roller Assembly Repair Kit
3	014949-45	Hose Stop Repair Kit
4	014942-45	3/8" x 50' Hose Replacement Kit
5	014934-45	Large Spring Assembly
6	019561-45	3/8" x 50' Swivel Repair Kit
7	019473-45	3/8" x 50' O-Ring Replacement Kit
8	014940-45	Ratchet Repair Kit
9	019652-40	3/8" NPT Live Swivel



Product Specifications:

3/8" x 50 Ft. Open Coated Reel w/ Extended Spray Wand & Blue Spray Valve w/ Swivel

Product Compliance:

NSF 61 Exempt (Non-Potable)
 EPAAct 2005 Non-Compliant (PRSV)