



**T&S BRASS AND BRONZE WORKS, INC.**  
 2 Saddleback Cove / P.O. Box 1088  
 Travelers Rest, SC 29690

Model No.  
**B-WFDS**

Item No.

Travelers Rest, SC: 800-476-4103 • Simi Valley, CA: 800-423-0150 • Fax: 864-834-3518 • www.tsbrass.com

This Space for Architect/Engineer Approval

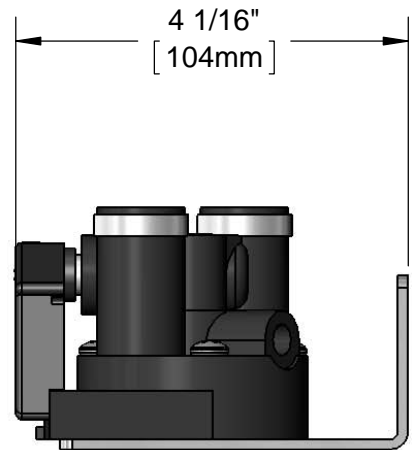
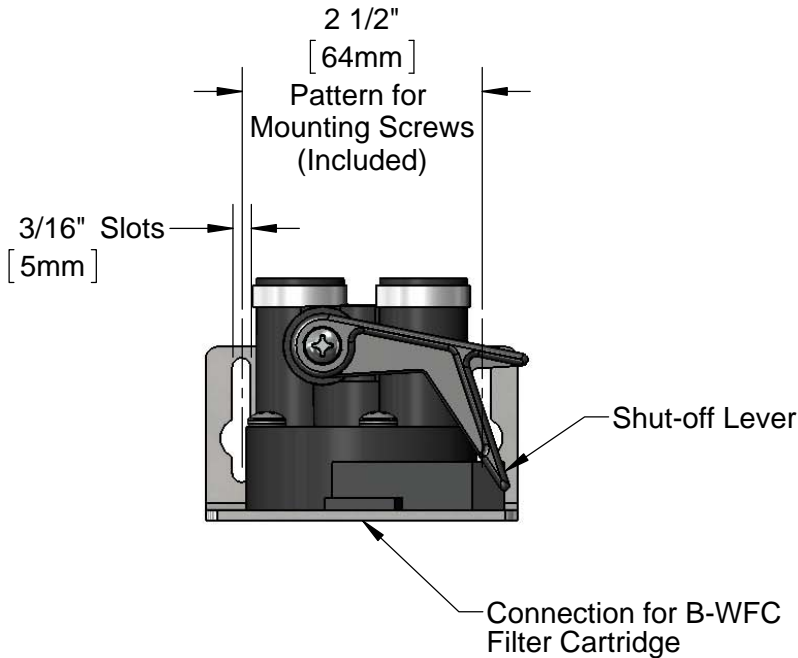
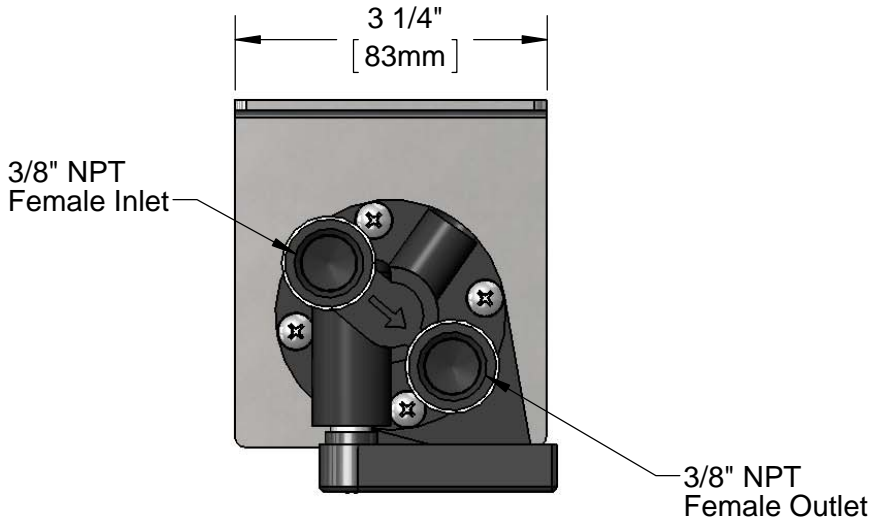
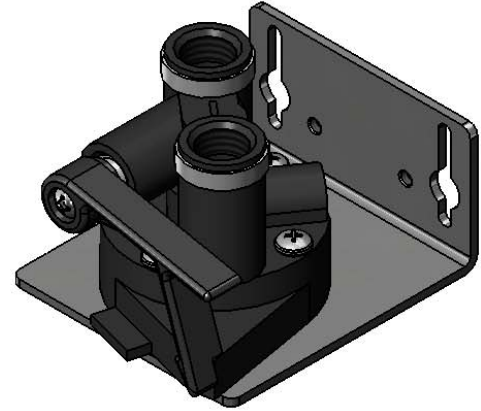
Job Name \_\_\_\_\_ Date \_\_\_\_\_

Model Specified \_\_\_\_\_ Quantity \_\_\_\_\_

Customer/Wholesaler \_\_\_\_\_

Contractor \_\_\_\_\_

Architect/Engineer \_\_\_\_\_



Product Specifications:  
 Water Filtration Docking Station

|                      |                       |                          |
|----------------------|-----------------------|--------------------------|
| Drawn<br><b>DMH</b>  | Checked<br><b>JRM</b> | Approved<br><b>JHB</b>   |
| Scale:<br><b>1:2</b> |                       | Date:<br><b>01/16/14</b> |