



T&S BRASS AND BRONZE WORKS, INC.

2 Saddleback Cove / P.O. Box 1088
Travelers Rest, SC 29690

Model No.

BL-5850-01TL-CW

Item No.

Travelers Rest, SC: 800-476-4103 • Simi Valley, CA: 800-423-0150 • Fax: 864-834-3518 • www.tsbrass.com

This Space for Architect/Engineer Approval

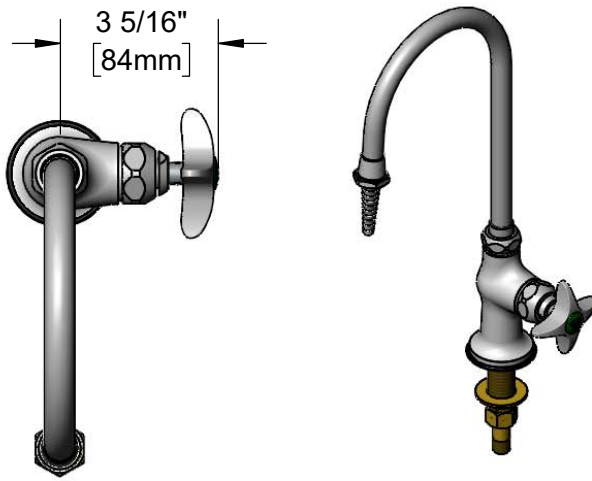
Job Name _____ Date _____

Model Specified _____ Quantity _____

Customer/Wholesaler _____

Contractor _____

Architect/Engineer _____



3 5/16"
[84mm]

5 7/8" Swivel/Rigid
Gooseneck w/
Serrated Tip Outlet.
Converts to Rigid w/
014200-45 Lock
Washer (Included)

Quarter-Turn Eterna
Cartridge w/ Spring
Check & 4-Arm Handle
w/ Color Coded Index

14 3/16"
[360mm]

7 7/16"
[189mm]

5 7/8"
[149mm]

Ø 2 3/16"
[56mm]
Deck Gasket

Mounting
Surface

2 7/16"
[61mm]

Ø 2" [51mm]
Flange w/
Black Plastic Deck
Gasket & 1/2" NPSM
Male Inlet

Optional Tailpiece
& Nut for 1/4" NPT
Connection (Included)

1 1/2"
[38mm]
Maximum
Thickness

Rough-In Requirement:
Ø 1" [25mm] Mounting Hole

Product Specifications:

Single Hole Single Temperature Tin-Lined Laboratory Faucet, Quarter-Turn Eterna Cartridge w/ Spring Check, 4-Arm Handle, 5 7/8" Swivel/Rigid Gooseneck, Serrated Tip Outlet & 1/2" NPSM Male Inlet

Product Compliance:

ASME A112.18.1 / CSA B125.1
NSF 61 Exempt (Non-Potable)
NSF 372 (Low Lead Content)



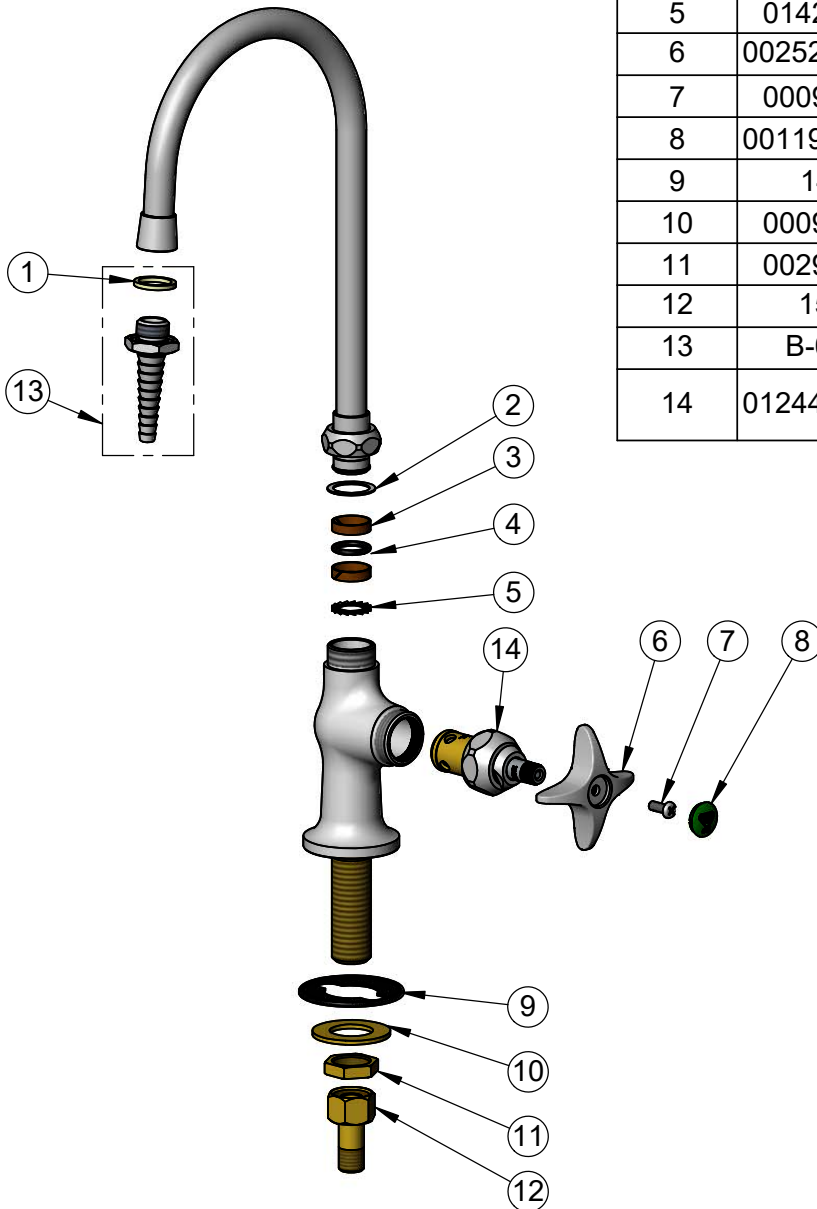
T&S BRASS AND BRONZE WORKS, INC.
 2 Saddleback Cove / P.O. Box 1088
 Travelers Rest, SC 29690

Model No.
BL-5850-01TL-CW

Item No.

Travelers Rest, SC: 800-476-4103 • Simi Valley, CA: 800-423-0150 • Fax: 864-834-3518 • www.tsbrass.com

ITEM NO.	SALES NO.	DESCRIPTION
1	001051-45	Washer
2	009538-45	Swivel Washer
3	011429-45	Swivel Sleeves (2)
4	001074-45	O-Ring
5	014200-45	Star Washer, Anti-Rotation
6	002521-45NS	4-Arm Handle (New Style)
7	000925-45	Lab Handle Screw
8	001191-45NS	Green "CW" Lab Button Index
9	144L	Black Plastic Gasket
10	000999-45	Brass Lock Washer
11	002954-45	Shank Lock Nut
12	150A	1/4" NPT Tailpiece & Nut
13	B-0198	Serrated Tip Outlet, 3/8" NPT Male
14	012443-40NS	Quarter-Turn Eterna Cartridge w/ Spring Check, RTC



Product Specifications:

Single Hole Single Temperature Tin-Lined Laboratory Faucet, Quarter-Turn Eterna Cartridge w/ Spring Check, 4-Arm Handle, 5 7/8" Swivel/Rigid Gooseneck, Serrated Tip Outlet & 1/2" NPSM Male Inlet

Product Compliance:

ASME A112.18.1 / CSA B125.1
 NSF 61 Exempt (Non-Potable)
 NSF 372 (Low Lead Content)