



**T&S BRASS AND BRONZE WORKS, INC.**  
 2 Saddleback Cove / P.O. Box 1088  
 Travelers Rest, SC 29690

Model No.  
**B-1027-UCP**

Item No.

Travelers Rest, SC: 800-476-4103 • Simi Valley, CA: 800-423-0150 • Fax: 864-834-3518 • www.tsbrass.com

This Space for Architect/Engineer Approval

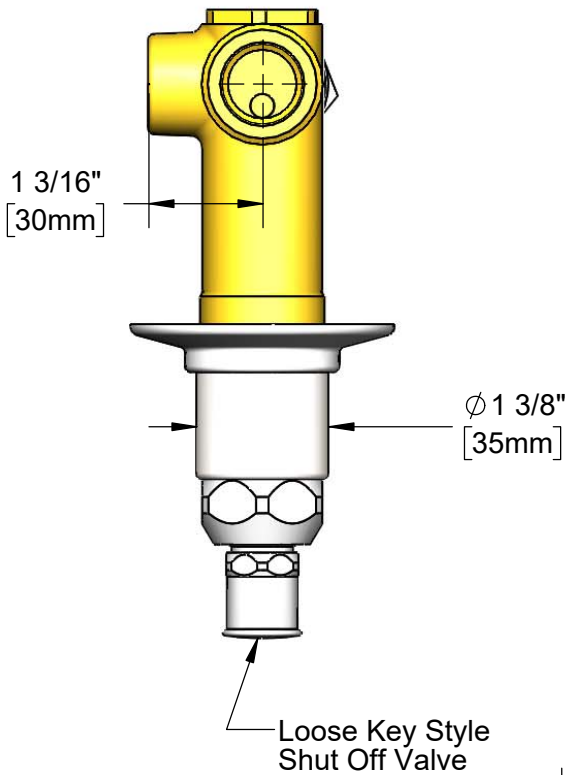
Job Name \_\_\_\_\_ Date \_\_\_\_\_

Model Specified \_\_\_\_\_ Quantity \_\_\_\_\_

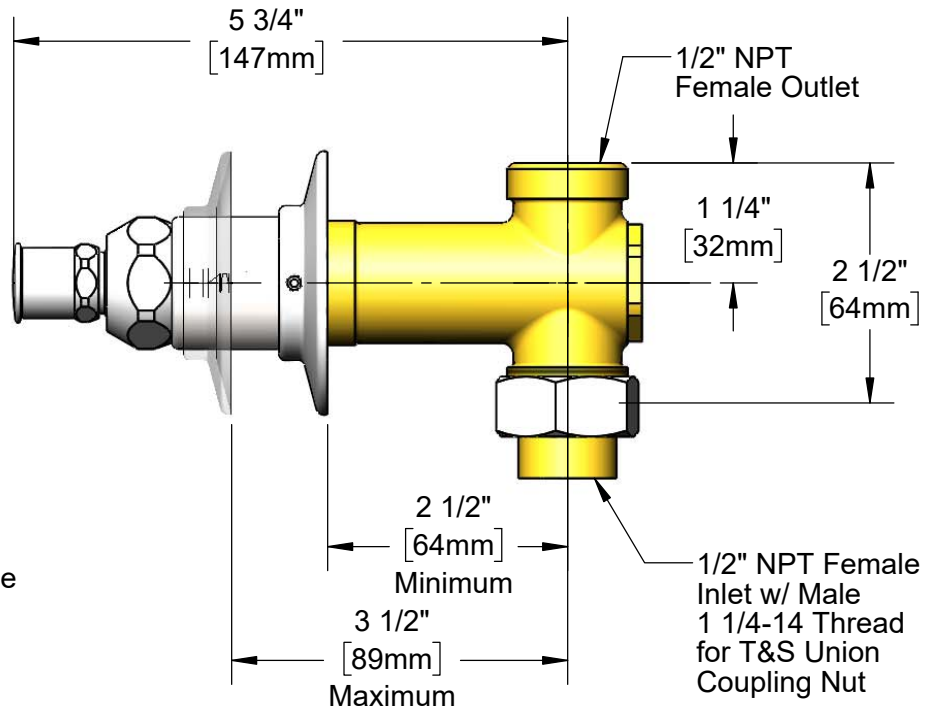
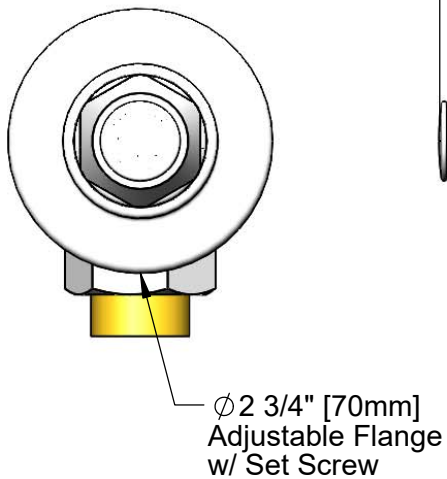
Customer/Wholesaler \_\_\_\_\_

Contractor \_\_\_\_\_

Architect/Engineer \_\_\_\_\_



Loose Key Tee Handle  
 (Operates Loose Key  
 Stop) Mounting Screw  
 Included



Product Specifications:  
 Concealed Straight Loose Key Valve, 1/2" NPT Female Outlet & 1/2" NPT  
 Female Inlet w/ Union Coupling

Product Compliance:  
 ASME A112.18.1 / CSA B125.1  
 NSF 61 - Section 9  
 NSF 372 (Low Lead Content)



# T&S BRASS AND BRONZE WORKS, INC.

2 Saddleback Cove / P.O. Box 1088  
Travelers Rest, SC 29690

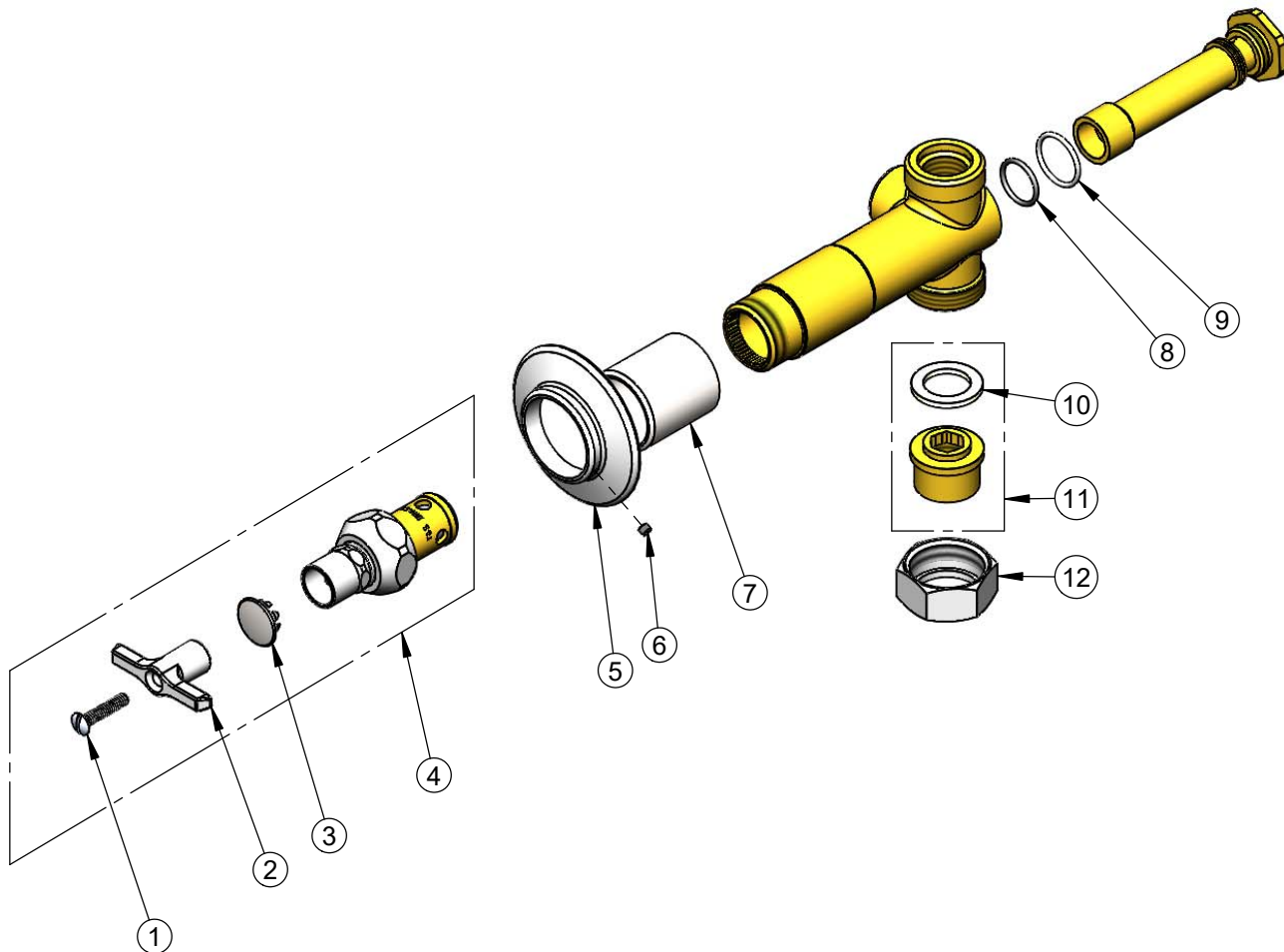
Model No.

**B-1027-UCP**

Item No.

Travelers Rest, SC: 800-476-4103 • Simi Valley, CA: 800-423-0150 • Fax: 864-834-3518 • www.tsbrass.com

ITEM NO.	SALES NO.	DESCRIPTION
1	002432-45	Screw, Tee Handle
2	001802-45	Handle, Supply Stop "T"
3	001605-45	Cap
4	124A-NS	Loose Key Style Shut Off Valve w/ Tee Handle & Cap
5	001501-40	Escutcheon
6	000939-45	Escutcheon, Set Screw
7	151F	Escutcheon Tube
8	001062-45	O-Ring
9	001702-45	O-Ring
10	001019-45	Coupling Nut Washer
11	153F	Union Half, 1/2" NPT w/ Washer
12	000721-25	Flange Coupling Nut



**Product Specifications:**

Concealed Straight Loose Key Valve, 1/2" NPT Female Outlet & 1/2" NPT Female Inlet w/ Union Coupling

**Product Compliance:**

ASME A112.18.1 / CSA B125.1  
NSF 61 - Section 9  
NSF 372 (Low Lead Content)