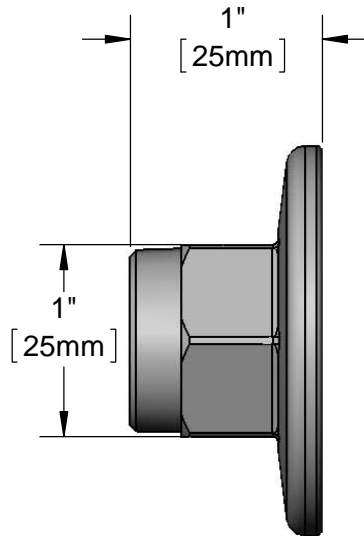
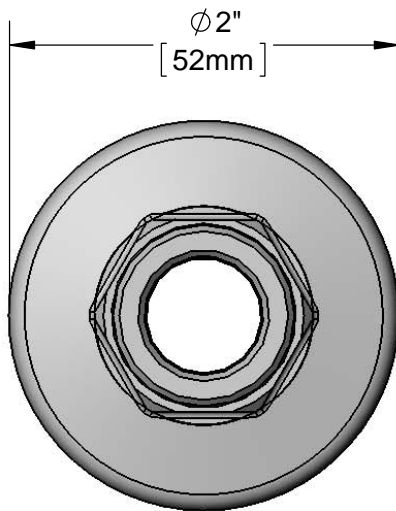
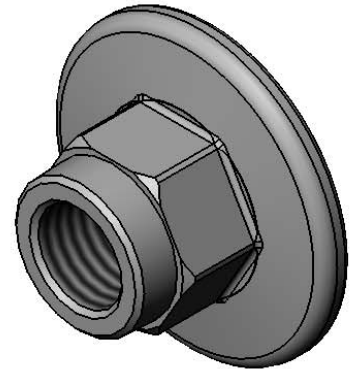




Architect/Engineering Specifications:

Chrome plated brass double panel flange with 1/2" IPS female inlet and 3/8" IPS outlet.

Job Name _____
 Model Specified _____ Quantity _____
 Variations Specified _____
 Date _____



Features & Benefits:

- Chrome plated brass laboratory panel flange
- 1/2" IPS female inlet
- 3/8" IPS female outlet
- Material: Chrome plated brass

Product Compliance:

- N/A

Warranty: One Year (Limited)

Performance Data:

- N/A

