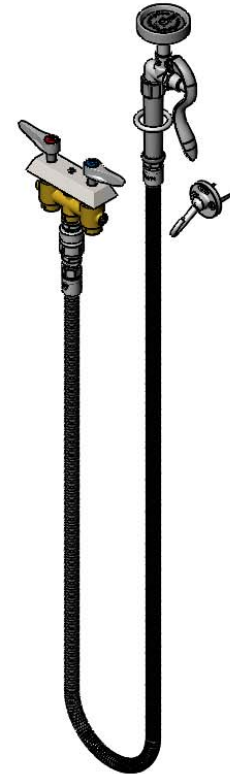
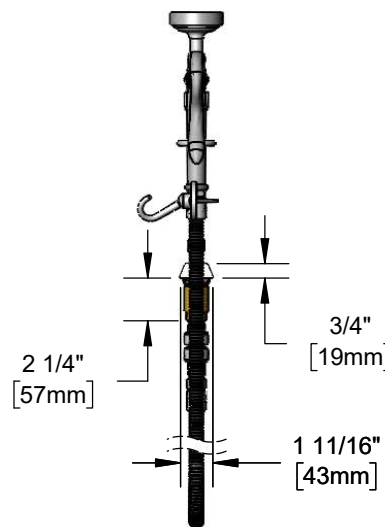
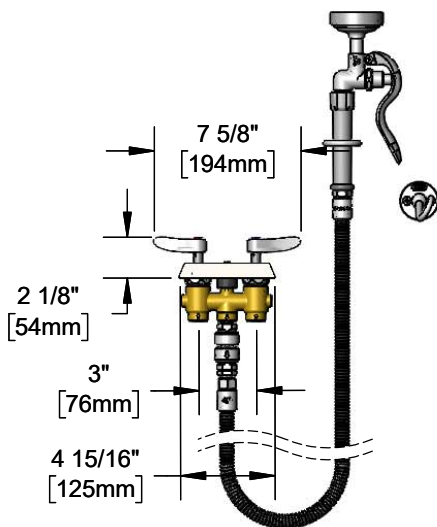




#### Architect/Engineering Specifications:

3" deck mount concealed mixing faucet with brass body, compression cartridges with spring check, lever handles, 68" flexible stainless steel hose, 3/8" NPT vacuum breaker, 1.15 GPM spray valve, wall hook, 3/8" NPT female inlets and chrome plated escutcheon and check valves. Certified to ASME A112.18.1/CSA B125.1, NSF 61-Section 9, NSF 372 and CSA B64.8. 2019 DOE PRSV - Class II compliant.

Job Name \_\_\_\_\_  
 Model Specified \_\_\_\_\_ Quantity \_\_\_\_\_  
 Variations Specified \_\_\_\_\_  
 Date \_\_\_\_\_



#### Features & Benefits:

- 3" deck mount concealed mixing faucet with polished chrome plated brass body
- Quarter-turn Eterna compression cartridges with spring checks to prevent cross flow of water
- Lever handles w/ color coded indexes
- 3/8" NPT vacuum breaker
- 1.15 GPM spray valve
- 68" flexible stainless steel hose
- Wall hook holds spray valve when not in use
- 3/8" NPT female inlets
- 1/2" NPT check valves
- Chrome plated escutcheon
- Material: Brass body, chrome plated brass spray valve body & escutcheon, stainless steel hose, chrome plated metal wall bracket & handles

#### Product Compliance:

- ASME A112.18.1 / CSA B125.1
- NSF 61 - Section 9
- NSF 372 (Low Lead Content)
- 2019 DOE PRSV - Class II
- CSA B64.8 (VB)

**Warranty:** One Year (Limited)

#### Performance Data:

- Pressure: 20 - 125 psi [1.38 - 8.62 bar]
- Temperature: 40 °F - 140 °F [4.44 °C - 60 °C]
- Flow Rate: 1.15 GPM [4.35 L/min] @ 60 psi [4.14 bar]



#### Optional Handles

- 4" Wrist Action
- Lever (Standard)
- 4-Arm

