



Architect/Engineering Specifications:

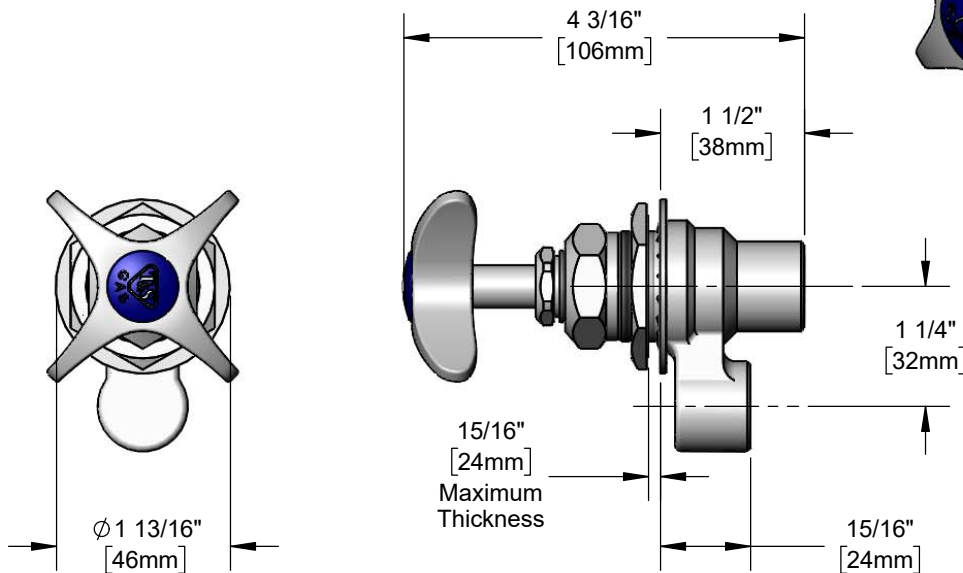
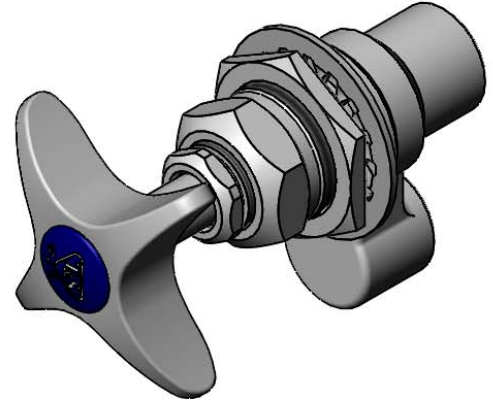
Fume hood valve with polished chrome plated brass body, internal stainless steel cone, removable seat, 4-arm handle and 3/8" NPT female inlet and outlet. Certified to ANSI Z21.15a/CSA 9.1a.

Job Name _____

Model Specified _____ Quantity _____

Variations Specified _____

Date _____



Features & Benefits:

- Fume hood valve w/ polished chrome plated brass body
- Internal floating stainless steel cone regulates gas flow as handle is turned
- Serrated tip outlet, fits 1/4" to 3/8" I.D. hoses
- 4-arm handle
- Press-in color coded indexes (gas, vacuum & air included)
- 3/8" NPT female inlet and outlet
- Material: Polished chrome plated brass body & chrome plated metal handle

Product Compliance:

- ANSI Z21.15a / CSA 9.1a (Gas Valves)

Warranty: One Year (Limited)

Performance Data:

- Pressure:
 - Gas- 0.5 psi max [0.03bar]
 - Air- 125 psi max [8.62bar]
 - Vacuum- 30 inches of Mercury max [762mm]
- Temperature: 32 °F - 125 °F [0.00 °C - 51.67 °C]

