



T&S BRASS AND BRONZE WORKS, INC.
 2 Saddleback Cove / P.O. Box 1088
 Travelers Rest, SC 29690

Model No.
S-0230-LN

Item No.

Travelers Rest, SC: 800-476-4103 • Simi Valley, CA: 800-423-0150 • Fax: 864-834-3518 • www.tsbrass.com



ADA Compliant

EVERSTEEL

This Space for Architect/Engineer Approval

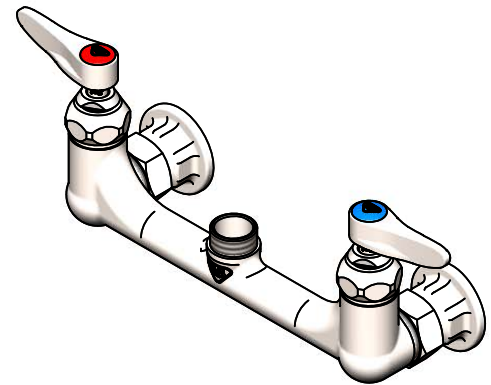
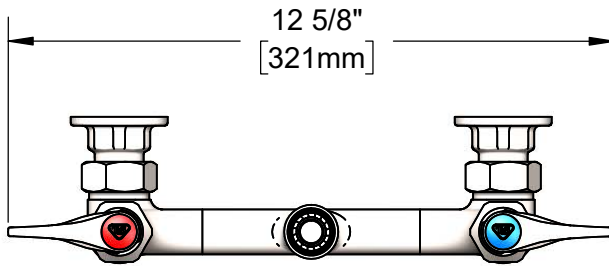
Job Name _____ Date _____

Model Specified _____ Quantity _____

Customer/Wholesaler _____

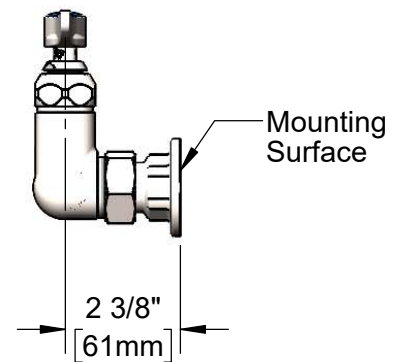
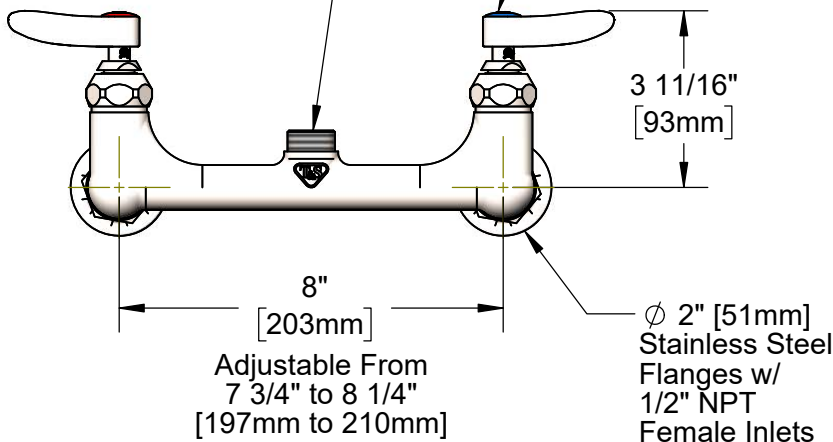
Contractor _____

Architect/Engineer _____



Swivel Outlet Accepts
 Standard Stainless Steel
 T&S Swing Nozzles.
 Converts to Rigid w/
 014200-45
 Lock Washer (Included)

Stainless Steel Quarter-Turn
 Eterna Cartridges w/
 Spring Checks &
 Stainless Steel Lever Handles
 w/ Color Coded Indexes



Product Specifications:

8" Stainless Steel Wall Mount Mixing Faucet, Less Nozzle, SS Quarter-Turn Eterna Cartridges w/ Spring Checks, SS Lever Handles & SS 1/2" NPT Female Inlets

Product Compliance:

ASME A112.18.1 / CSA B125.1
 NSF 61 - Section 9
 NSF 372 (Low Lead Content)
 ANSI A117.1 (ADA)



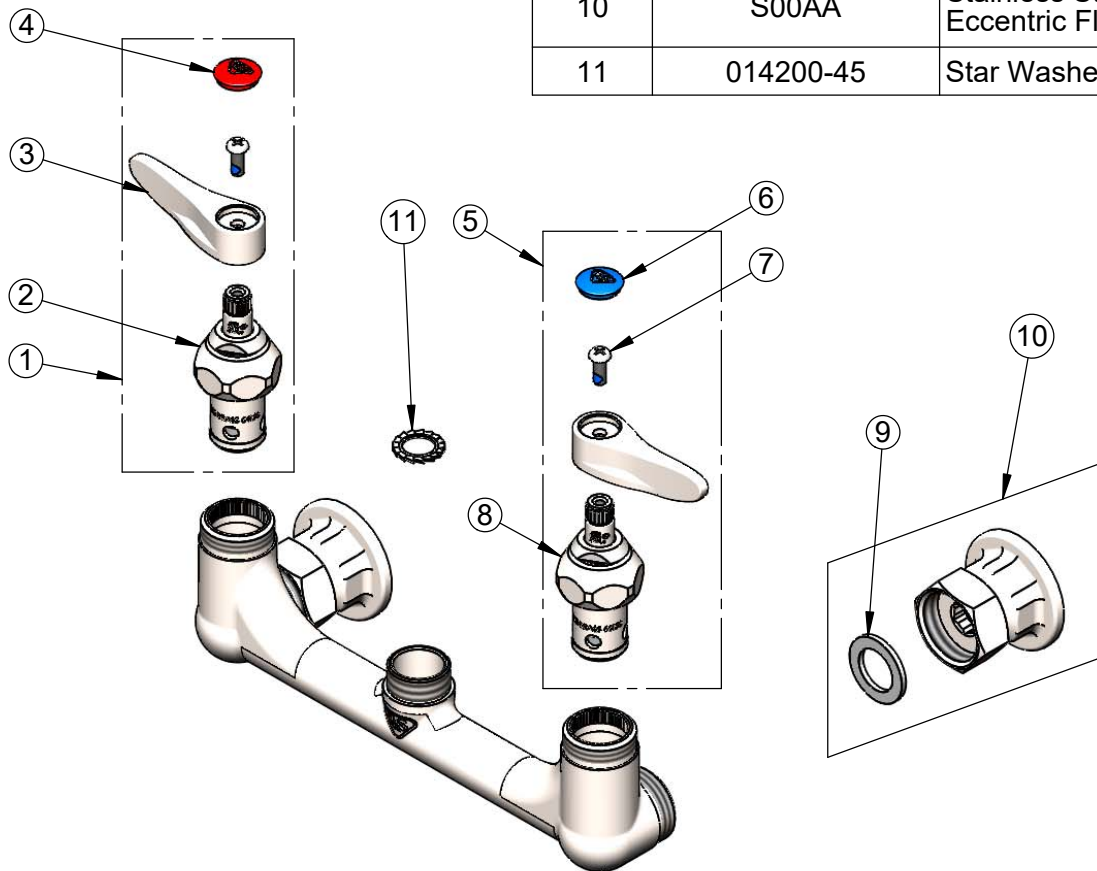
T&S BRASS AND BRONZE WORKS, INC.
 2 Saddleback Cove / P.O. Box 1088
 Travelers Rest, SC 29690

Model No.
S-0230-LN

Item No.

Travelers Rest, SC: 800-476-4103 • Simi Valley, CA: 800-423-0150 • Fax: 864-834-3518 • www.tsbrass.com

ITEM NO.	SALES NO.	DESCRIPTION
1	S002712-30NS	Stainless Steel Quarter-Turn Eterna Cartridge w/ Spring Check, Handle, Red Index & Screw, RTC
2	S012443-30NS	Stainless Steel Quarter-Turn Eterna Cartridge w/ Spring Check, RTC
3	S001638-30NS	Stainless Steel Lever Handle (New Style)
4	001193-19NS	Red Button Index, Press-in
5	S002711-30NS	Stainless Steel Quarter-Turn Eterna Cartridge w/ Spring Check, Handle, Blue Index & Screw, LTC
6	018506-19NS	Blue Button Index, Press-in
7	000925-45	Lab Handle Screw
8	S012442-30NS	Stainless Steel Quarter-Turn Eterna Cartridge w/ Spring Check, LTC
9	010569-45	Washer, Inlet Flange Coupling (UK)
10	S00AA	Stainless Steel 1/2" NPT Female Eccentric Flange
11	014200-45	Star Washer, Anti-Rotation



Product Specifications:
 8" Stainless Steel Wall Mount Mixing Faucet, Less Nozzle, SS Quarter-Turn Eterna Cartridges w/ Spring Checks, SS Lever Handles & SS 1/2" NPT Female Inlets

Product Compliance:
 ASME A112.18.1 / CSA B125.1
 NSF 61 - Section 9
 NSF 372 (Low Lead Content)
 ANSI A117.1 (ADA)