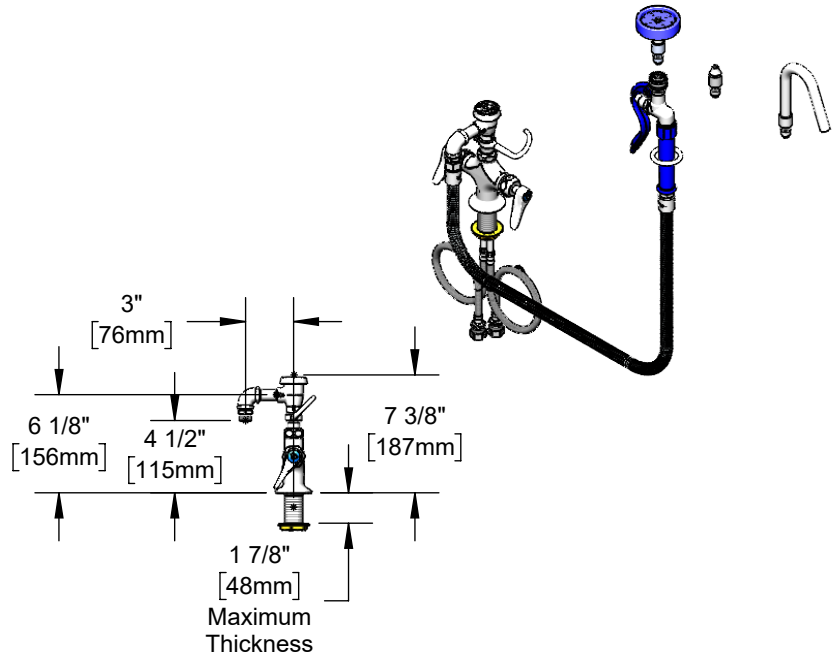
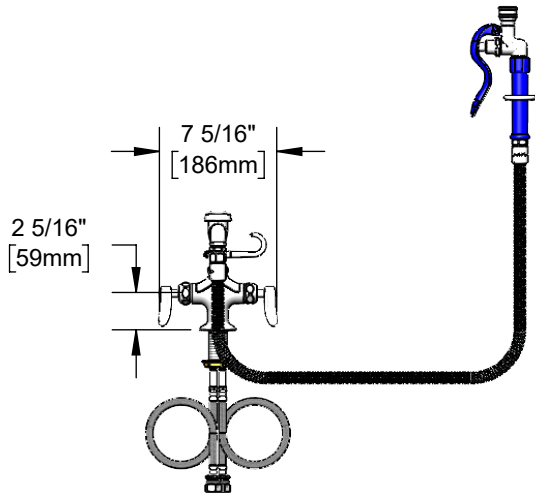




Architect/Engineering Specifications:

Single hole deck mount mixing faucet with polished chrome plated brass body, atmospheric vacuum breaker, 44" flexible stainless steel hose with heat resistant handle, spray valve with quick disconnect spray head, quick disconnect jet spray and quick disconnect hook nozzle, ceramic cartridges with check valves, lever handles and 18" flexible stainless steel supply hoses with 1/2" NPSM / 5/8" O.D. compression connections. Certified to ASME A112.18.1/CSA B125.1, NSF 61-Section 9, NSF 372 and ASSE 1001.

Job Name _____
Model Specified _____ Quantity _____
Variations Specified _____
Date _____



Features & Benefits:

- Single hole deck mount mixing faucet w/ polished chrome plated brass body
- 3/8" NPT atmospheric vacuum breaker
- 44" flexible stainless steel hose w/ heat resistant blue handle and hold down ring
- Spray valve with quick disconnect socket
- Quick disconnect shower spray, jet spray and hook nozzle spray accessories spray heads
- Quarter-turn Cerama cartridges w/ check valves to prevent cross flow of water
- Lever handles w/ color coded indexes
- 18" flexible stainless steel supply hoses w/ 1/2" NPSM / 5/8" O.D. compression connections
- Material: Polished chrome plated brass body and spray valve body, chrome plated vacuum breaker, chrome plated metal handles and stainless steel hose

Product Compliance:

- ASME A112.18.1 / CSA B125.1
- NSF 61 - Section 9
- NSF 372 (Low Lead Content)
- ASSE 1001 (VB)
- 2019 DOE PRSV Non-Compliant

Warranty: One Year (Limited)

Performance Data:

- Pressure: 20 - 125 psi [1.38 - 8.62 bar]
- Temperature: 40 °F - 140 °F [4.44 °C - 60 °C]
- Flow Rate:
 - Shower Spray: 3.93 GPM [14.88 L/min] @ 60 psi [4.14 bar]
 - Fan Jet Spray: 3.25 GPM [12.30 L/min] @ 60 psi [4.14 bar]
 - Hook Nozzle: 2.71 GPM [10.26 L/min] @ 60 psi [4.14 bar]



Optional Cartridges With Checks

- Quarter-Turn Cerama w/ Check Valve (Standard)
- Quarter-Turn Eterna w/ Spring Check

Optional Handles

- 4" Wrist Action
- Lever (Standard)
- 4-Arm

