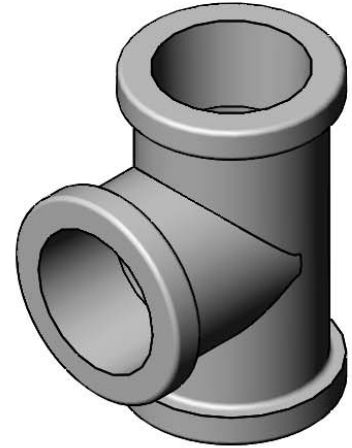
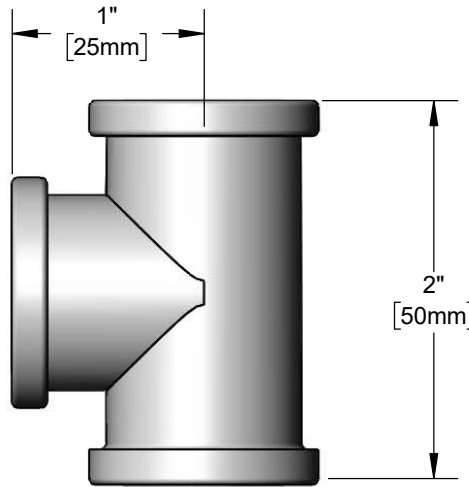
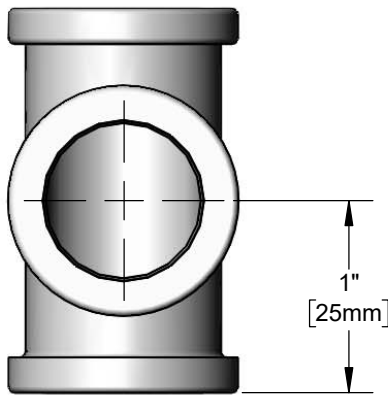




Architect/Engineering Specifications:

Polish chrome plated cast tee with 1/2" NPT female inlet and outlets. Certified to NSF 61-Section 9 and NSF 372.

Job Name \_\_\_\_\_  
 Model Specified \_\_\_\_\_ Quantity \_\_\_\_\_  
 Variations Specified \_\_\_\_\_  
 Date \_\_\_\_\_



Features & Benefits:

- Polish chrome plated cast tee
- 1/2" NPT female inlet & outlets
- Material: Polish chrome plated brass

Product Compliance:

- NSF 61 - Section 9
- NSF 372 (Low Lead Content)



Warranty: One Year (Limited)



Performance Data:

- N/A

