



Swivel Sink and Pantry Faucets

5F-4CLX00

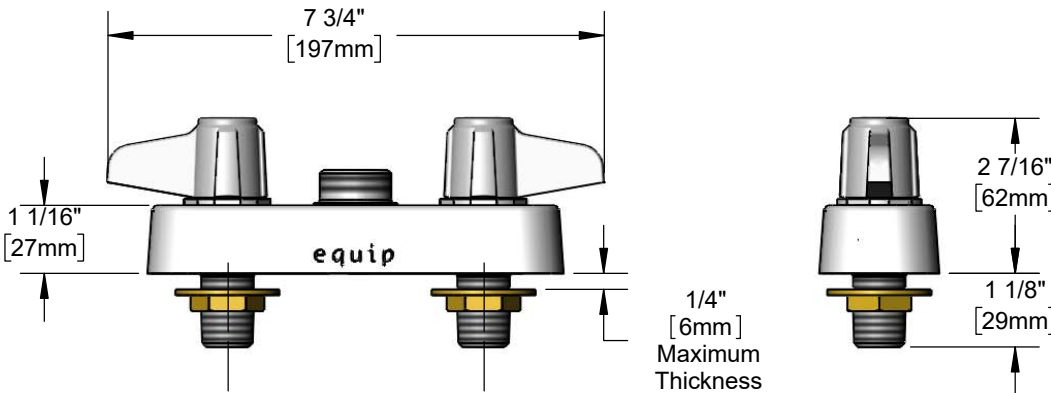
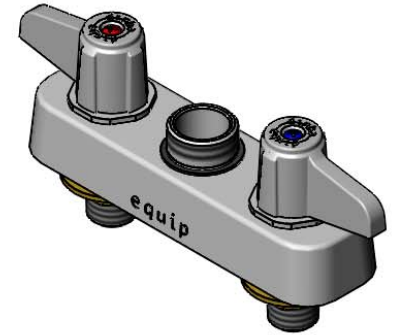
TAG:

4" Deck Mount Faucet

Architect/Engineering Specifications:

4" deck mount mixing faucet with polished chrome plated brass body, ceramic cartridges, equip lever handles and 1/2" NPT male inlets. Certified to ASME A112.18.1/CSA B125.1, NSF 61-Section 9 and NSF 372. Meets ADA ANSIIICC A117.1 requirements.

Job Name _____
 Model Specified _____ Quantity _____
 Variations Specified _____
 Date _____



Features & Benefits:

- 4" deck mount mixing faucet w/ polished chrome plated brass body
- Swivel outlet accepts equip swivel goosenecks
- Quarter-turn ceramic cartridges
- Material: Polished chrome plated brass body & chrome plated metal handles

Product Compliance:

- ASME A112.18.1 / CSA B125.1
- NSF 61 - Section 9
- NSF 372 (Low Lead Content)
- ANSI A117.1 (ADA)



Warranty: One Year (Limited)

Performance Data:

- Pressure: 20 - 125 psi [1.38 - 8.62 bar]
- Temperature: 40 °F - 140 °F [4.44 °C - 60 °C]
- Flow Rate: 13.90 GPM [52.62 L/min] @ 60 psi [4.14 bar]

(Outlet Device &/or Final Configuration May Reduce Flow Rate)



ADA Compliant

equip Swing Nozzles

- 5SP-06 6" Swing Nozzle
- 5SP-08 8" Swing Nozzle
- 5SP-10 10" Swing Nozzle
- 5SP-12 12" Swing Nozzle
- 5SP-14 14" Swing Nozzle
- 5SP-16 16" Swing Nozzle
- 5SP-18 18" Swing Nozzle

equip Swivel Goosenecks (D x K)

- 5SP-05 5 3/4" x 8 9/16" Swivel Gooseneck
- 5SP-09 9" x 7" Swivel Gooseneck

equip Foodservice Accessories



• 2 Saddleback Cove • Travelers Rest, SC 29690
 Ph 800-891-4808 • Fax 800-868-0084
 www.tsbrass.com

Date: 08/31/20