

This Space for Architect/Engineer Approval

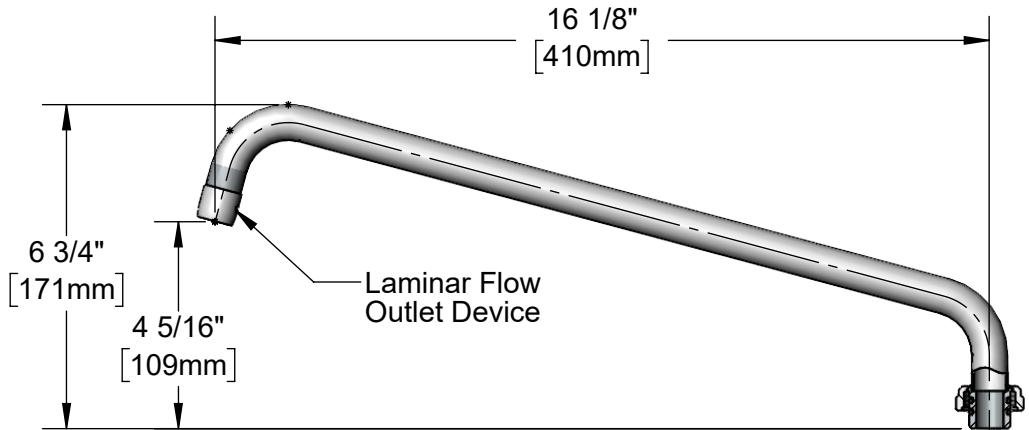
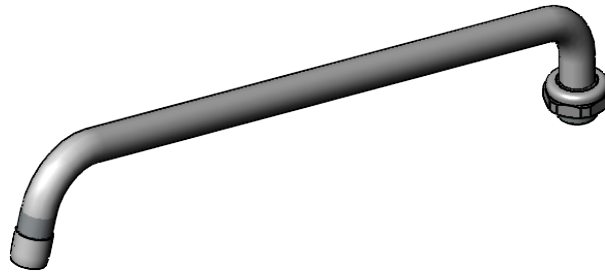
Job Name _____ Date _____

Model Specified _____ Quantity _____


Customer/Wholesaler _____

Contractor _____

Architect/Engineer _____



Note:
Conversion to Rigid Requires 014200-45 Lock Washer
(Available Separately)

Model Number 5SP-16	Product Specifications: 16" Swing Nozzle w/ Laminar Flow Device				
Product Compliance: ASME A112.18.1 / CSA B125.1 NSF 61 - Section 9 NSF 372 (Low Lead Content)	 <p>equip Foodservice Accessories</p> <p>2 Saddleback Cove, P.O. Box 1088 Travelers Rest, South Carolina 29690 Phone: 800.891.4808 Fax: 800.868.0084 equip.tsbrass.com</p>				
Drawn: TRK	Checked: JRM	Approved: JHB	Date: 10/30/23	Scale: 1:4	Sheet: 1 of 1