



T&S BRASS AND BRONZE WORKS, INC.

2 Saddleback Cove / P.O. Box 1088
Travelers Rest, SC 29690

Model No.

B-2294

Item No.

Travelers Rest, SC: 800-476-4103 • Simi Valley, CA: 800-423-0150 • Fax: 864-834-3518 • www.tsbrass.com



ADA Compliant

This Space for Architect/Engineer Approval

Job Name _____ Date _____

Model Specified _____ Quantity _____

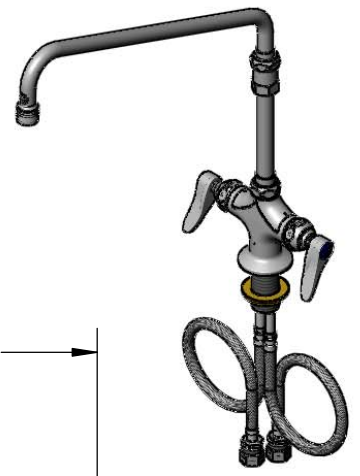
Customer/Wholesaler _____

Contractor _____

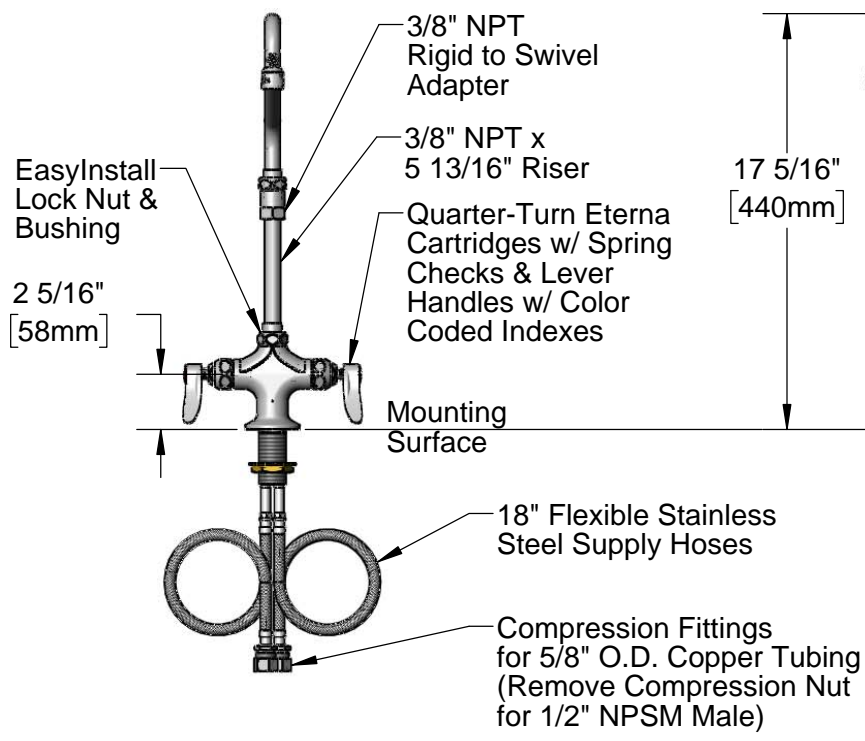
Architect/Engineer _____



7 7/16"
[189mm]



063X
14" Swing Nozzle w/
Stream Regulator Outlet



2 5/16"
[58mm]

Mounting
Surface

14"
[356mm]

17 5/16"
[440mm]

14 3/16"
[360mm]

Ø 2 1/4" [57mm]
Deck Flange

Ø 1 1/8"
[29mm]

1 3/8"
[35mm]
Maximum
Thickness

Rough-In Requirement:
Ø 1 1/2" [38mm] Mounting Hole

Product Specifications:
Single Hole Deck Mount Mixing Faucet, Quarter-Turn Eterna Cartridges w/
Spring Checks, Lever Handles, Elevated 14" Swing Nozzle w/ Rigid to Swivel
Adapter & 18" Flexible Stainless Steel Supply Hoses

Product Compliance:
ASME A112.18.1 / CSA B125.1
NSF 61 - Section 9
NSF 372 (Low Lead Content)
ANSI A117.1 (ADA)



T&S BRASS AND BRONZE WORKS, INC.

2 Saddleback Cove / P.O. Box 1088
Travelers Rest, SC 29690

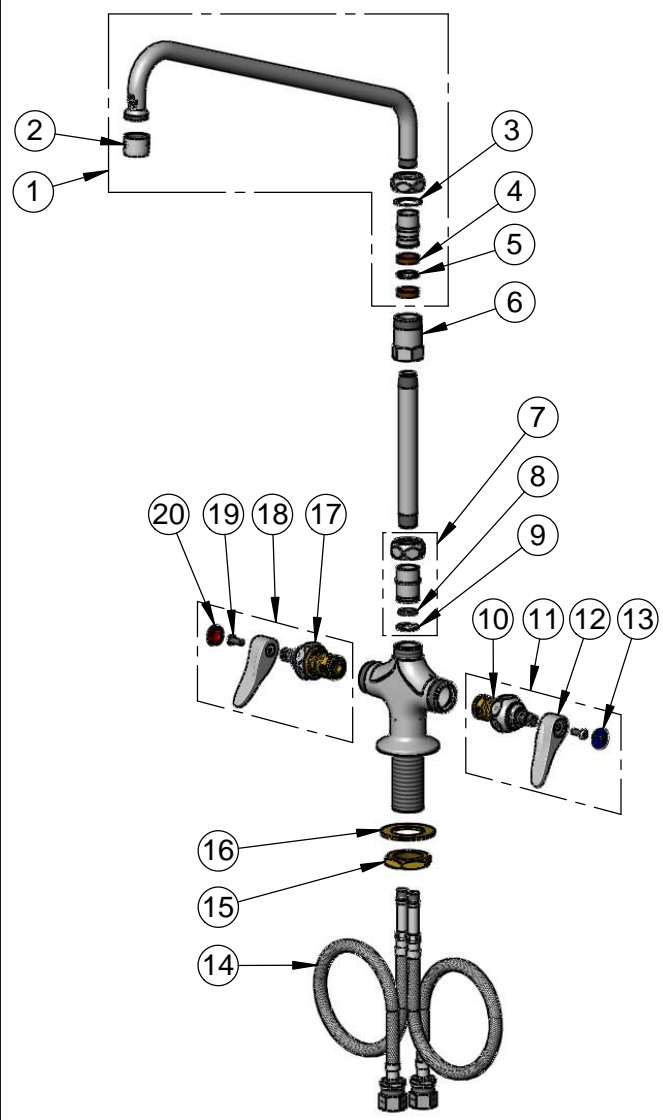
Model No.

B-2294

Item No.

Travelers Rest, SC: 800-476-4103 • Simi Valley, CA: 800-423-0150 • Fax: 864-834-3518 • www.tsbrass.com

ITEM NO.	SALES NO.	DESCRIPTION
1	063X	14" Swing Nozzle
2	B-PT	Full Flow Stream Regulator, 55/64-27
3	009538-45	Swivel Washer
4	011429-45	Swivel Sleeves (2)
5	001074-45	O-Ring
6	054X	Swivel Body
7	EZ-K	EasyInstall Kit
8	001065-45	O-Ring
9	014200-45	Star Washer, Anti-Rotation
10	012442-40NS	Quarter-Turn Eterna Cartridge w/ Spring Check, LTC
11	002711-40NS	Quarter-Turn Eterna Cartridge w/ Spring Check, Handle, Blue Index & Screw, LTC
12	001638-45NS	Lever Handle (New Style)
13	018506-19NS	Blue Button Index, Press-in
14	012534-45	18" Flexible Supply Hose (2)
15	000965-45	Lock Nut
16	002290-45	Lock Washer
17	012443-40NS	Quarter-Turn Eterna Cartridge w/ Spring Check, RTC
18	002712-40NS	Quarter-Turn Eterna Cartridge w/ Spring Check, Handle, Red Index & Screw, RTC
19	000925-45	Lab Handle Screw
20	001193-19NS	Red Button Index, Press-in



Product Specifications:
Single Hole Deck Mount Mixing Faucet, Quarter-Turn Eterna Cartridges w/ Spring Checks, Lever Handles, Elevated 14" Swing Nozzle w/ Rigid to Swivel Adapter & 18" Flexible Stainless Steel Supply Hoses

Product Compliance:
ASME A112.18.1 / CSA B125.1
NSF 61 - Section 9
NSF 372 (Low Lead Content)
ANSI A117.1 (ADA)