



T&S BRASS AND BRONZE WORKS, INC.

2 Saddleback Cove / P.O. Box 1088
Travelers Rest, SC 29690

Model No.

B-1152-092A-VB

Item No.

Travelers Rest, SC: 800-476-4103 • Simi Valley, CA: 800-423-0150 • Fax: 864-834-3518 • www.tsbrass.com

This Space for Architect/Engineer Approval

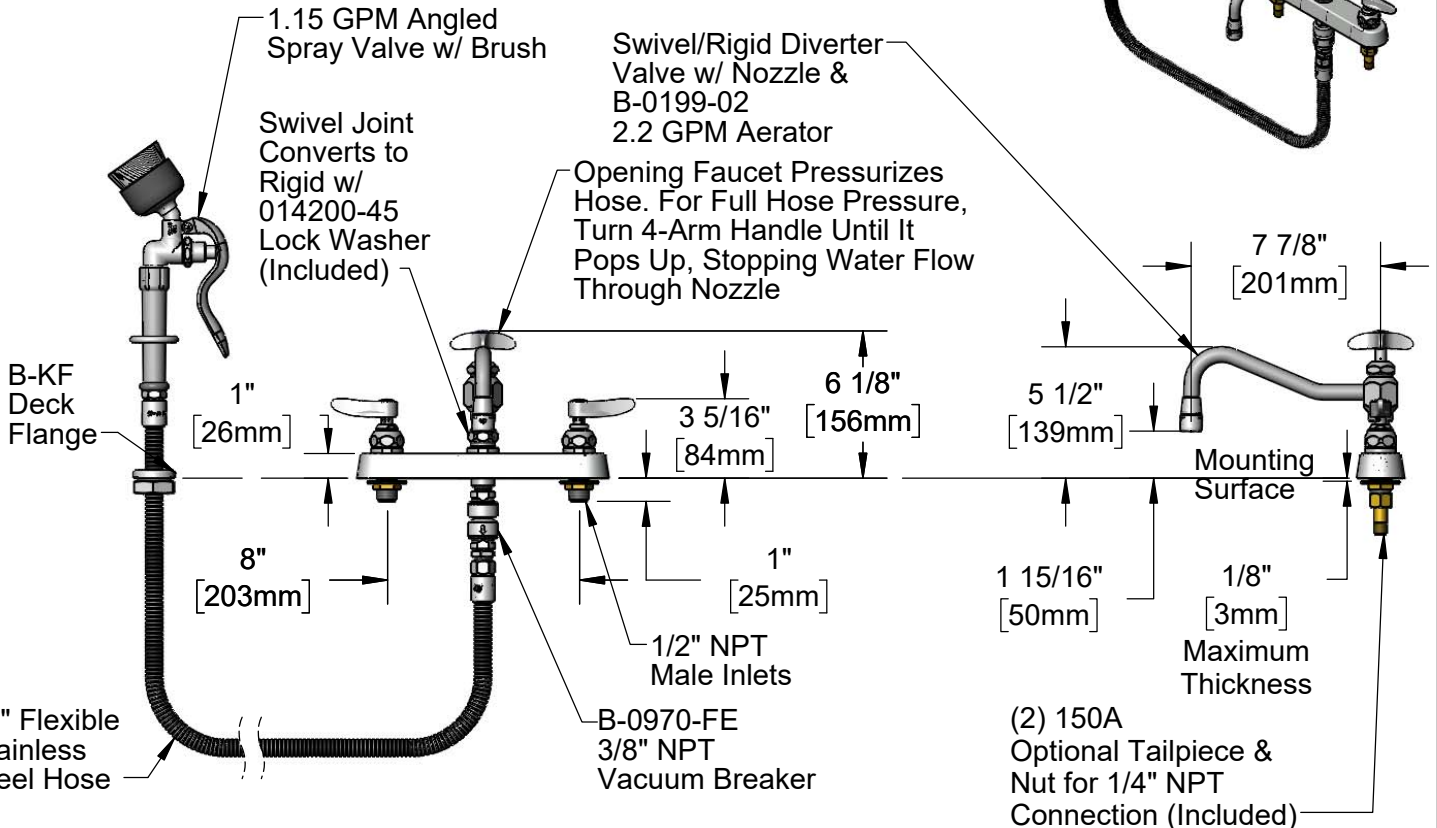
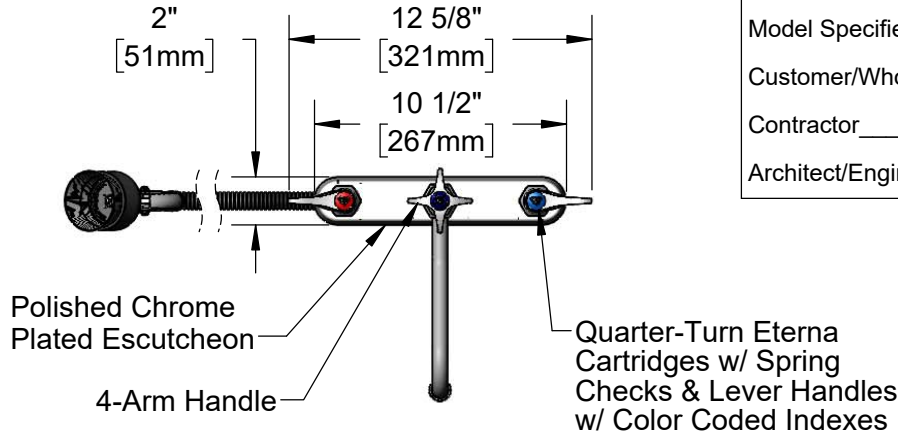
Job Name _____ Date _____

Model Specified _____ Quantity _____

Customer/Wholesaler _____

Contractor _____

Architect/Engineer _____



Rough-In Requirement:
Faucet: (3) ϕ 1" [25mm] Mounting Holes
Deck Flange: ϕ 1 9/16" [40mm] Mounting Hole

Product Specifications:
8" Deck Mount Workboard Mixing Faucet, Lever Handles, Quarter-Turn Eterna Cartridges w/ Spring Checks, Swivel/Rigid Diverter valve w/ 7 7/8" Nozzle, 2.2 GPM Aerator, 1.15 GPM Angled Spray Valve w/ Brush, 44" Flexible Stainless Steel Hose, Deck Flange, 3/8" NPT Vacuum Breaker & 1/2" NPT Male Inlets

Product Compliance:
ASME A112.18.1 / CSA B125.1
NSF 61 - Section 9
NSF 372 (Low Lead Content)
CSA B64.8 (VB)
2019 DOE PRSV - Class II



T&S BRASS AND BRONZE WORKS, INC.

2 Saddleback Cove / P.O. Box 1088
Travelers Rest, SC 29690

Model No.

B-1152-092A-VB

Item No.

Travelers Rest, SC: 800-476-4103 • Simi Valley, CA: 800-423-0150 • Fax: 864-834-3518 • www.tsbrass.com

ITEM NO.	SALES NO.	DESCRIPTION
1	B-0044-H2A	44" Flexible Stainless Steel Hose, Less Handle
2	B-KF	Protective Flange
3	001014-45	Washer, B-0100 Hose Barrel
4	002987-40	Grip Handle
5	005963-40	Angled Spray Valve w/ Brush
6	000907-45	Spray Valve Hold Down Ring
7	010476-45	#27 Washer
8	BR10	Brush Attachment, Black
9	001083-45	Black Rubber Collar
10	001407-45	Black Nylon Brush Attachment
11	009845-45	Spray Valve Spray Face
12	000913-45	Screw
13	019959-45	Press-In Diverter Index
14	002521-45NS	4-Arm Handle (New Style)
15	002878-40	Diverter Valve w/ Nozzle & 2.2 GPM Aerator Outlet
16	009538-45	Swivel Washer
17	011429-45	Swivel Sleeves (2)
18	001074-45	O-Ring
19	014200-45	Star Washer, Anti-Rotation
20	001193-19NS	Red Button Index, Press-in
21	012443-40NS	Quarter-Turn New Style Eterna Cartridge w/ Spring Check, RTC
22	018506-19NS	Blue Button Index, Press-in
23	000925-45	Lab Handle Screw
24	001638-45NS	Lever Handle (New Style)
25	012442-40NS	Quarter-Turn New Style Eterna Cartridge w/ Spring Check, LTC
26	019376-40	Escutcheon Lock Nut
27	019375-40	B-1120 Eterna Workboard Escutcheon
28	002535-25	3/8" Close Nipple
29	B-0970-FE	3/8" NPT Vacuum Breaker
30	053A	Adapter, 3/8" NPT Male
31	000999-45	Brass Lock Washer
32	002954-45	Shank Lock Nut
33	150A	1/4" NPT Tailpiece & Nut
34	B-0199-01	2.2 GPM Aerator, 55/64-27 UN Female
35	B-0199-02	2.2 GPM Aerator, 3/8" NPSM Male
36	044A	3/8" to Aerator Adapter
37	001043-45	Washer

Product Specifications:
8" Deck Mount Workboard Mixing Faucet, Lever Handles, Quarter-Turn Eterna Cartridges w/ Spring Checks, Swivel/Rigid Diverter valve w/ 7 7/8" Nozzle, 2.2 GPM Aerator, 1.15 GPM Angled Spray Valve w/ Brush, 44" Flexible Stainless Steel Hose, Deck Flange, 3/8" NPT Vacuum Breaker & 1/2" NPT Male Inlets

Product Compliance:
ASME A112.18.1 / CSA B125.1
NSF 61 - Section 9
NSF 372 (Low Lead Content)
CSA B64.8 (VB)
2019 DOE PRSV - Class II