



T&S BRASS AND BRONZE WORKS, INC.
 2 Saddleback Cove / P.O. Box 1088
 Travelers Rest, SC 29690

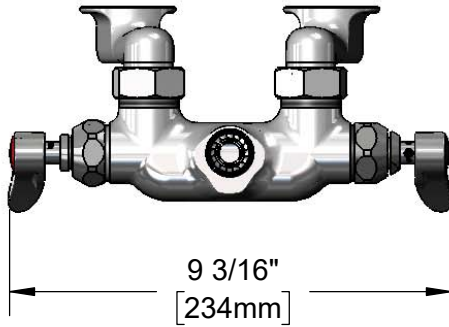
Model No.
B-0235-LN

Item No.

Travelers Rest, SC: 800-476-4103 • Simi Valley, CA: 800-423-0150 • Fax: 864-834-3518 • www.tsbrass.com



ADA Compliant



This Space for Architect/Engineer Approval

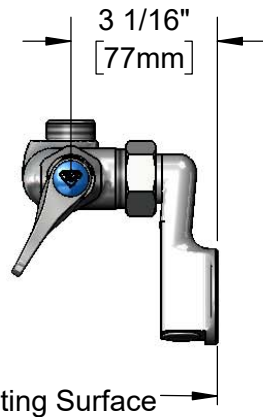
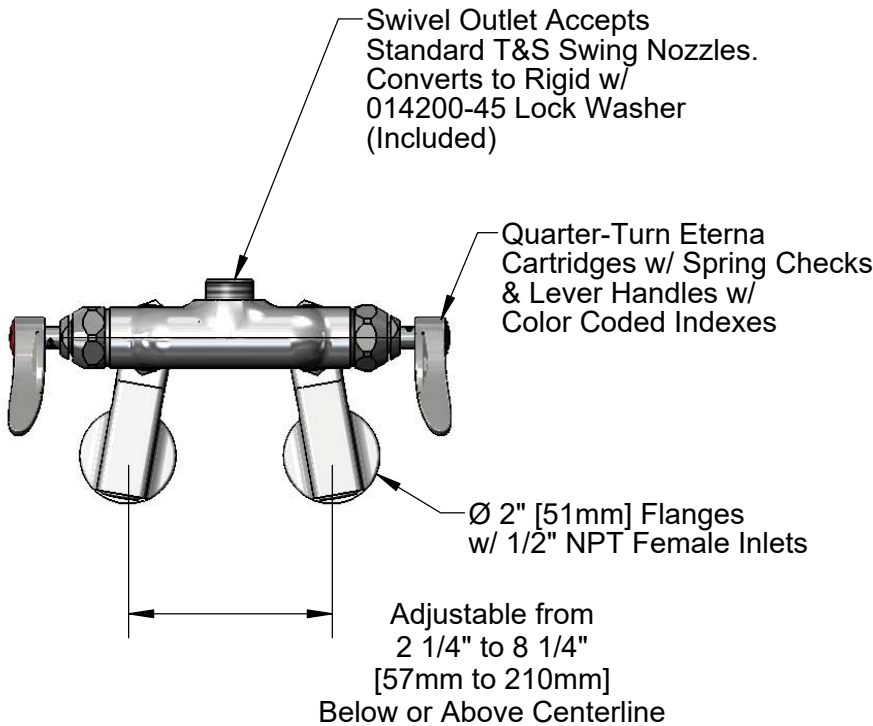
Job Name _____ Date _____

Model Specified _____ Quantity _____

Customer/Wholesaler _____

Contractor _____

Architect/Engineer _____



Product Specifications:

Adjustable Wall Mount Faucet, Quarter-Turn Eterna Cartridges w/ Spring Checks, Lever Handles & 1/2" NPT Female Adjustable Arm Inlets, Less Nozzle

Product Compliance:

ASME A112.18.1 / CSA B125.1
 NSF 61 - Section 9
 NSF 372 (Low Lead Content)
 ANSI A117.1 (ADA)



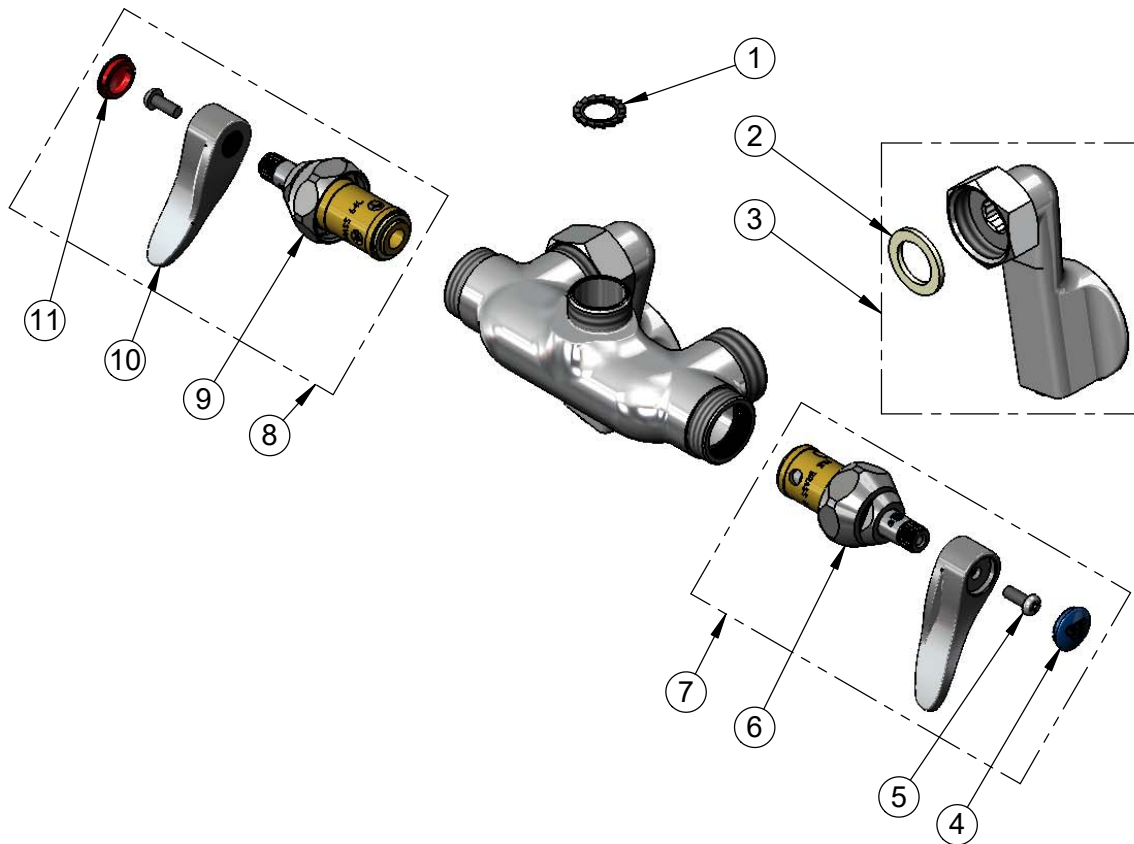
T&S BRASS AND BRONZE WORKS, INC.
 2 Saddleback Cove / P.O. Box 1088
 Travelers Rest, SC 29690

Model No.
B-0235-LN

Item No.

Travelers Rest, SC: 800-476-4103 • Simi Valley, CA: 800-423-0150 • Fax: 864-834-3518 • www.tsbrass.com

ITEM NO.	SALES NO.	DESCRIPTION
1	014200-45	Star Washer, Anti-Rotation
2	001019-45	Coupling Nut Washer
3	00GG	1/2" NPT Female Adjustable Arm Inlet Flange
4	018506-19NS	Blue Button Index, Press-in
5	000925-45	Lab Handle Screw
6	012442-40NS	Quarter-Turn Eterna Cartridge w/ Spring Check, LTC
7	002711-40NS	Quarter-Turn Eterna Cartridge w/ Spring Check, Handle, Blue Index & Screw, LTC
8	002712-40NS	Quarter-Turn Eterna Cartridge w/ Spring Check, Handle, Red Index & Screw, RTC
9	012443-40NS	Quarter-Turn Eterna Cartridge w/ Spring Check, RTC
10	001638-45NS	Lever Handle (New Style)
11	001193-19NS	Red Button Index, Press-in



Product Specifications:
 Adjustable Wall Mount Faucet, Quarter-Turn Eterna Cartridges w/ Spring Checks, Lever Handles & 1/2" NPT Female Adjustable Arm Inlets, Less Nozzle

Product Compliance:
 ASME A112.18.1 / CSA B125.1
 NSF 61 - Section 9
 NSF 372 (Low Lead Content)
 ANSI A117.1 (ADA)