



T&S BRASS AND BRONZE WORKS, INC.

2 Saddleback Cove / P.O. Box 1088
Travelers Rest, SC 29690

Model No.
B-0220-061XCRF1

Item No.

Travelers Rest, SC: 800-476-4103 • Simi Valley, CA: 800-423-0150 • Fax: 864-834-3518 • www.tsbrass.com



ADA Compliant



This Space for Architect/Engineer Approval

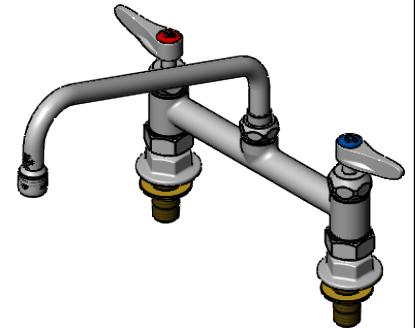
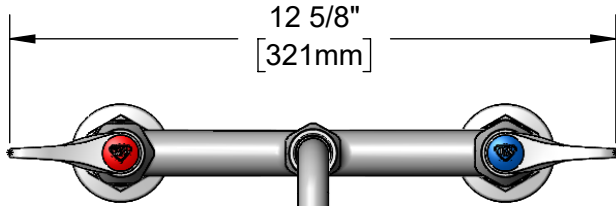
Job Name _____ Date _____

Model Specified _____ Quantity _____

Customer/Wholesaler _____

Contractor _____

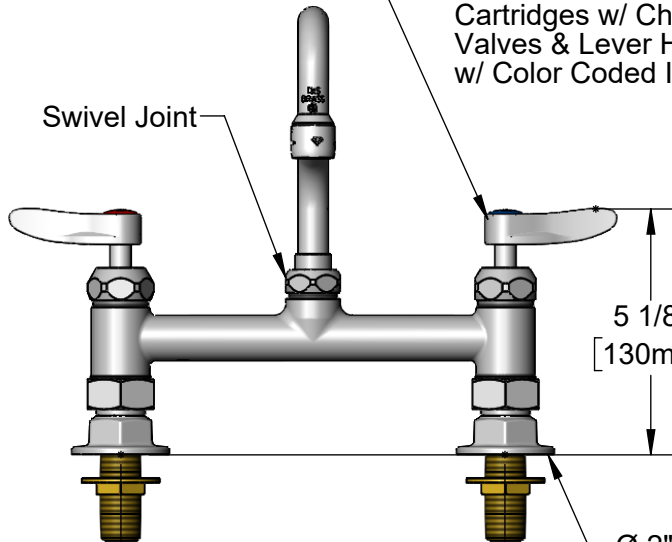
Architect/Engineer _____



10" Swing Nozzle w/
1.0 GPM Aerator.
Rigid Conversion Requires
014200-45 Lock Washer
(Included)

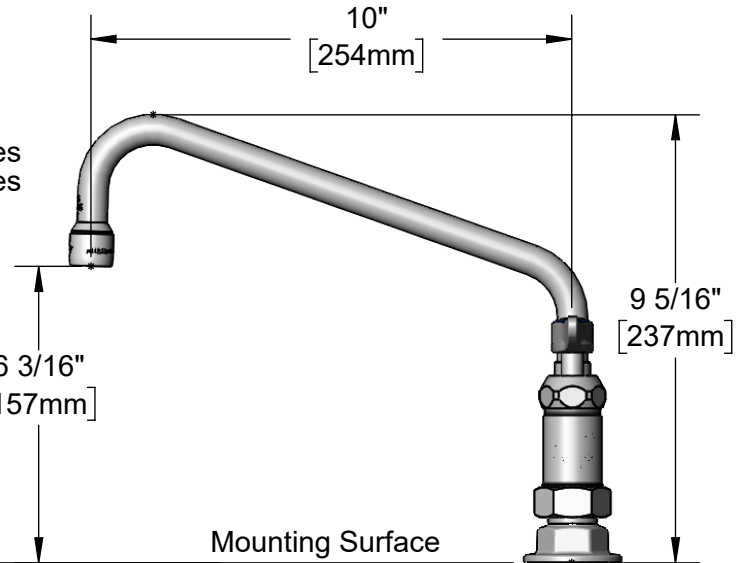
Quarter-Turn Cerama
Cartridges w/ Check
Valves & Lever Handles
w/ Color Coded Indexes

Swivel Joint



Adjustable From
7 3/4" to 8 1/4"
[197mm to 210mm]

Ø 2" [51mm]
Flanges w/
1/2" NPT
Female Inlets



Mounting Surface

B-0425-M
1/2" NPT Supply
Nipple Kit (Included)

Product Specifications:

8" Deck Mount Mixing Faucet, Quarter-Turn Cerama Cartridges w/ Check Valves, Lever Handles, 10" Swing Nozzle w/ 1.0 GPM Aerator, 1/2" NPT Female Inlets & 1/2" NPT Supply Nipple Kit

Product Compliance:

ASME A112.18.1 / CSA B125.1
NSF 61 - Section 9
NSF 372 (Low Lead Content)
ANSI A117.1 (ADA)
EPA WaterSense



T&S BRASS AND BRONZE WORKS, INC.

2 Saddleback Cove / P.O. Box 1088
Travelers Rest, SC 29690

Model No.

B-0220-061XCRF1

Item No.

Travelers Rest, SC: 800-476-4103 • Simi Valley, CA: 800-423-0150 • Fax: 864-834-3518 • www.tsbrass.com

	ITEM NO.	SALES NO.	DESCRIPTION
		1	B-0199-01-F10
2		009538-45	Swivel Washer
3		011429-45	Swivel Sleeves (2)
4		001074-45	O-Ring
5		014200-45	Star Washer, Anti-Rotation
6		018506-19NS	Blue Button Index, Press-in
7		000925-45	Lab Handle Screw
8		001638-45NS	Lever Handle (New Style)
9		012395-25NS	Quarter-Turn Cerama Cartridge, LTC w/ Check Valve
10		012447-25NS	Quarter-Turn Cerama Cartridge, LTC w/ Check Valve, Handle, Index & Screw
11		001019-45	Coupling Nut Washer
12		00AA	1/2" NPT Female Eccentric Flange
13		B-0425-M	1/2" NPT Supply Nipple Kit (2)
14		000999-45	Brass Lock Washer
15		002954-45	Shank Lock Nut
16		012446-25NS	Quarter-Turn Cerama Cartridge, RTC w/ Check Valve, Handle, Index & Screw
17		012394-25NS	Quarter-Turn Cerama Cartridge, RTC w/ Check Valve
18		001193-19NS	Red Button Index, Press-in

Product Specifications:
8" Deck Mount Mixing Faucet, Quarter-Turn Cerama Cartridges w/ Check Valves, Lever Handles, 10" Swing Nozzle w/ 1.0 GPM Aerator, 1/2" NPT Female Inlets & 1/2" NPT Supply Nipple Kit

Product Compliance:
ASME A112.18.1 / CSA B125.1
NSF 61 - Section 9
NSF 372 (Low Lead Content)
ANSI A117.1 (ADA)
EPA WaterSense