



T&S BRASS AND BRONZE WORKS, INC.
 2 Saddleback Cove / P.O. Box 1088
 Travelers Rest, SC 29690

Model No.
VRS-1

Item No.

Travelers Rest, SC: 800-476-4103 • Simi Valley, CA: 800-423-0150 • Fax: 864-834-3518 • www.tsbrass.com

This Space for Architect/Engineer Approval

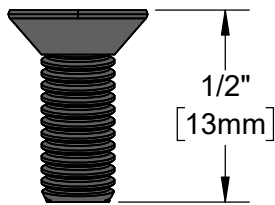
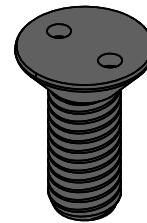
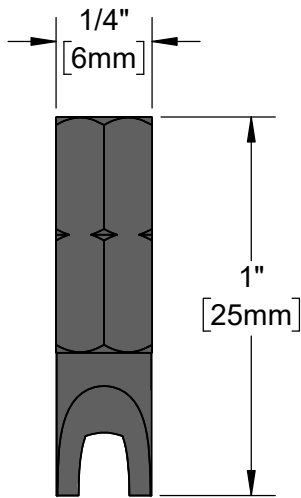
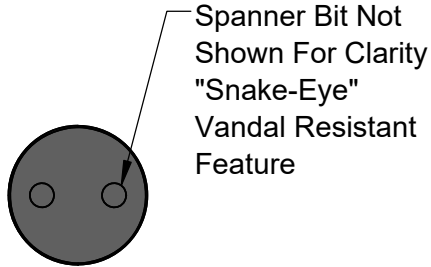
Job Name _____ Date _____

Model Specified _____ Quantity _____

Customer/Wholesaler _____

Contractor _____

Architect/Engineer _____



Notes:

1. (2) Screws Are Supplied.
2. Use VRS-1 To Replace Old Style Lever Handle Screw For New Style Handles and Old Style Wrist Action Handle, Specify VRS-2.

Product Specifications:
 Vandal Resistant Lever Handle Screw "Snake-Eye"

Product Compliance:
 N/A