



Service Sink / Mop Sink Faucets

B-0699

TAG:

Service Sink Faucet

Architect/Engineering Specifications:

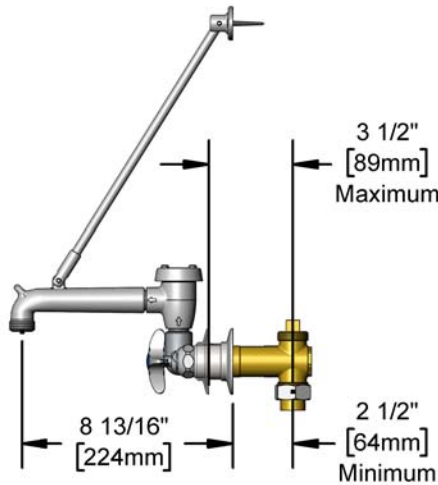
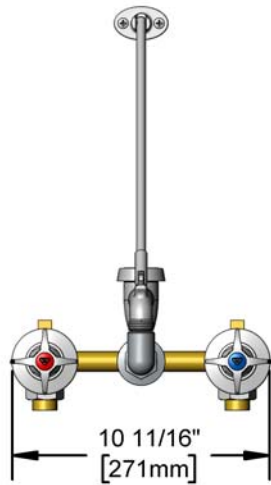
8" wall mount concealed mixing faucet with brass body, polished brass spout with pail hook and garden hose outlet, compression cartridges with spring checks, 4-arm handles, upper wall support rod and 1/2" union inlet connections. Certified to ASME A112.18.1/CSA B125.1, NSF 61-section 9, NSF 372 and ASSE 1001. Meets ADA ANSI/ICC A117.1 requirements

Job Name _____

Model Specified _____ Quantity _____

Variations Specified _____

Date _____



Features & Benefits:

- 8" concealed bypass mixing valve w/ 1/2" NPT female union inlet connections
- Ø2 3/4" polished chrome plated brass adjustable wall flanges & sleeves
- Polished chrome plated spout assembly w/ Ø2" wall flange, pail hook & male garden hose outlet
- Quarter-turn Eterna compression cartridges w/ spring checks to prevent cross flow of water
- 4-arm handles w/ color coded indexes
- 1/2" NPT female inlets (may be supplied from above or below)
- Upper wall support rod
- Material: Brass body with polished chrome plated adjustable flanges, support rod and chrome plated metal handles

Product Compliance:

- ASME A112.18.1 / CSA B125.1
- NSF 61 - Section 9
- NSF 372 (Low Lead Content)
- ANSI A117.1 (ADA)
- ASSE 1001 (VB)



Warranty: One Year (Limited)

Performance Data:

- Pressure: 20 - 125 psi
- Temperature: 40°F - 140°F
- Flow Rate: 11.06 GPM @ 60 psi



Optional Handles

- 4" Wrist Action
- Lever
- 4-Arm (Standard)

Optional Cartridges With Checks

- Quarter-Turn Cerama w/ Check Valve
- Quarter-Turn Eterna w/ Spring Check (Standard)



T&S BRASS AND BRONZE WORKS, INC.



• 2 Saddleback Cove • Travelers Rest, SC 29690
 Ph 800-476-4103 • Fax 864-834-3518
 • Simi Valley, CA • Ph 800-423-0150 • www.tsbrass.com

Date: 12/20/19