



T&S BRASS AND BRONZE WORKS, INC.

2 Saddleback Cove / P.O. Box 1088
Travelers Rest, SC 29690

Model No.

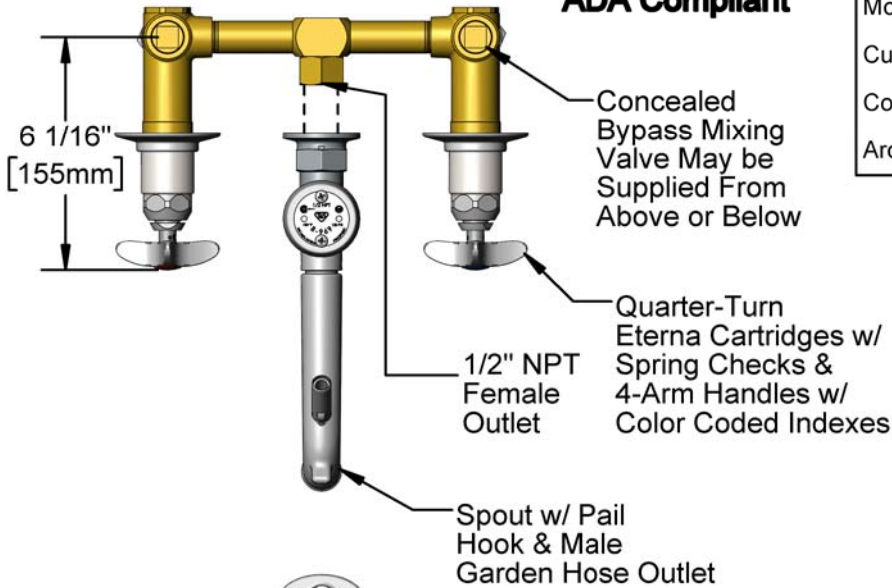
B-0699

Item No.

Travelers Rest, SC: 800-476-4103 • Simi Valley, CA: 800-423-0150 • Fax: 864-834-3518 • www.tsbrass.com



ADA Compliant



This Space for Architect/Engineer Approval

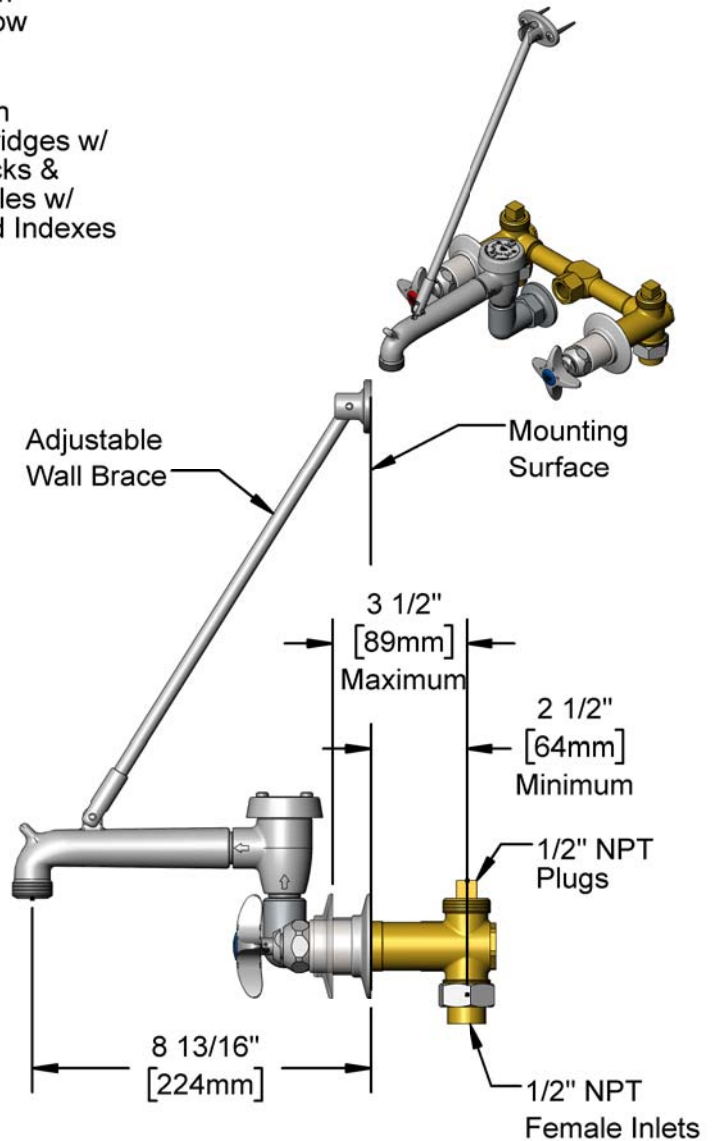
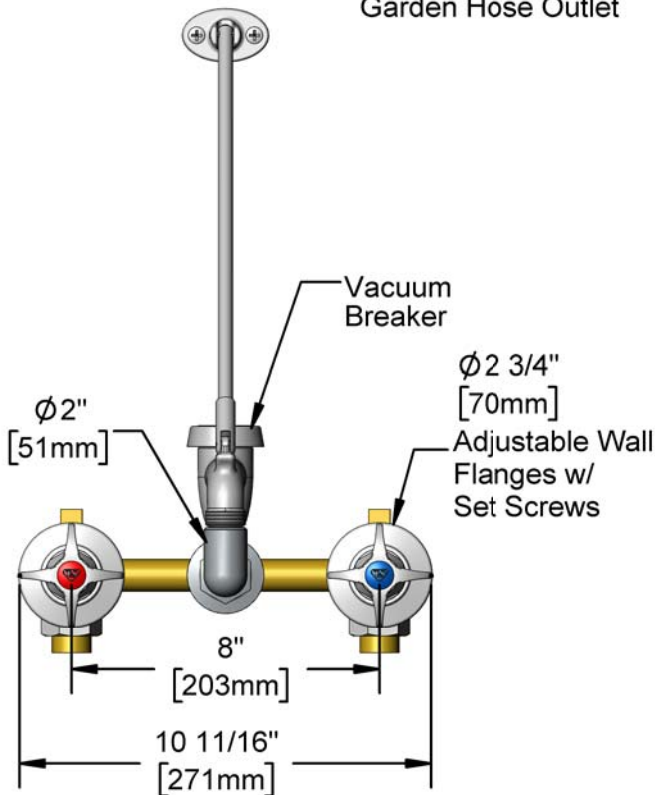
Job Name _____ Date _____

Model Specified _____ Quantity _____

Customer/Wholesaler _____

Contractor _____

Architect/Engineer _____



Rough-In Requirement:
Ø 1 1/2" [38mm] Mounting Holes

Product Specifications:
8" Wall Mount Concealed Mixing Valve, Quarter-Turn Eterna Cartridges w/ Spring Checks, 4-Arm Handles, Spout w/ Pail Hook & Male Garden Hose Outlet, Upper Support Rod & 1/2" Female Inlets/Outlets

Product Compliance:
ASME A112.18.1 / CSA B125.1
NSF 61 - Section 9
NSF 372 (Low Lead Content)
ANSI A117.1 (ADA)
ASSE 1001 (VB)



T&S BRASS AND BRONZE WORKS, INC.

2 Saddleback Cove / P.O. Box 1088
Travelers Rest, SC 29690

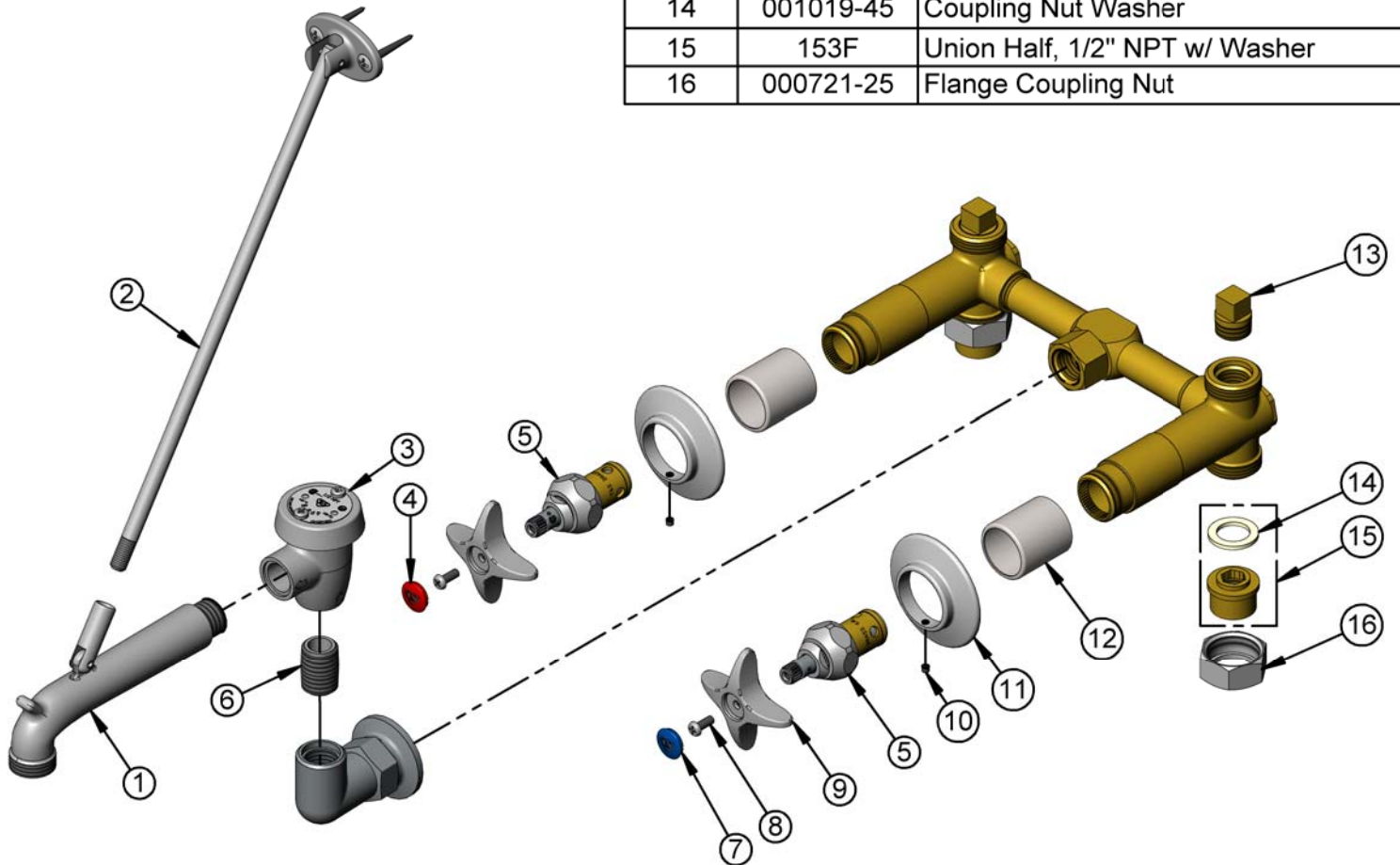
Model No.

B-0699

Item No.

Travelers Rest, SC: 800-476-4103 • Simi Valley, CA: 800-423-0150 • Fax: 864-834-3518 • www.tsbrass.com

ITEM NO.	SALES NO.	DESCRIPTION
1	009545-40	Nozzle w/ Clevis - Polished Chrome
2	009546-40	Support Rod - Polished Chrome
3	B-0969	Vacuum Breaker
4	001193-19NS	Red Button Index, Press-in
5	012443-40NS	Quarter-Turn Eterna Cartridge w/ Spring Check, RTC
6	002534-25	Close Nipple, 1/2" NPT
7	018506-19NS	Blue Button Index, Press-in
8	000925-45	Lab Handle Screw
9	002521-45NS	4-Arm Handle (New Style)
10	000939-45	Escutcheon, Set Screw
11	001501-40	Escutcheon
12	151F	Escutcheon Tube
13	001347-20	1/2" NPT Square Head Plug
14	001019-45	Coupling Nut Washer
15	153F	Union Half, 1/2" NPT w/ Washer
16	000721-25	Flange Coupling Nut



Product Specifications:

8" Wall Mount Concealed Mixing Valve, Quarter-Turn Eterna Cartridges w/ Spring Checks, 4-Arm Handles, Spout w/ Pail Hook & Male Garden Hose Outlet, Upper Support Rod & 1/2" Female Inlets/Outlets

Product Compliance:

ASME A112.18.1 / CSA B125.1
NSF 61 - Section 9
NSF 372 (Low Lead Content)
ANSI A117.1 (ADA)
ASSE 1001 (VB)