



T&S BRASS AND BRONZE WORKS, INC.

2 Saddleback Cove / P.O. Box 1088
Travelers Rest, SC 29690

Model No.

B-0230-187XWS4

Item No.

Travelers Rest, SC: 800-476-4103 • Simi Valley, CA: 800-423-0150 • Fax: 864-834-3518 • www.tsbrass.com



ADA Compliant

This Space for Architect/Engineer Approval

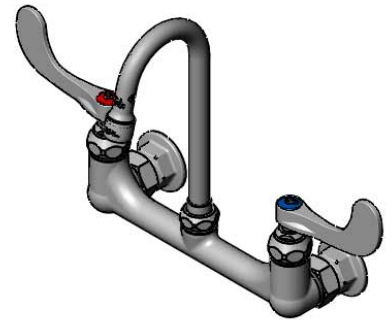
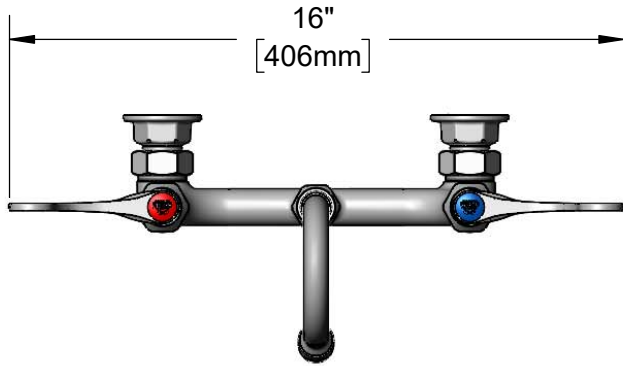
Job Name _____ Date _____

Model Specified _____ Quantity _____

Customer/Wholesaler _____

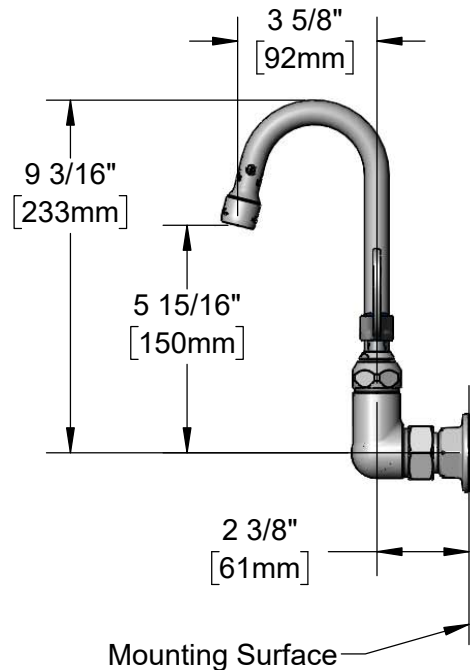
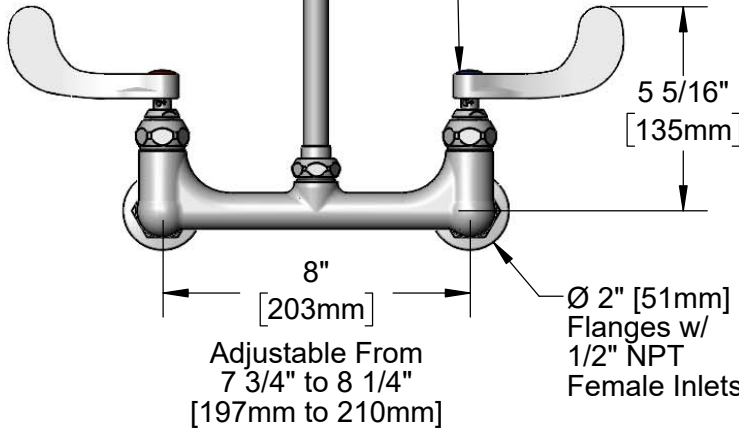
Contractor _____

Architect/Engineer _____



187X-A15 Swivel Gooseneck w/ 1.5 GPM Aerator. Converts to Rigid w/ 014200-45 Lock Washer (Included).

Quarter-Turn Eterna Cartridges w/ Spring Checks & 4" Wrist Action Handles w/ Color Coded Indexes



Product Specifications:

8" Wall Mount Mixing Faucet, Quarter-Turn Eterna Cartridges, 4" Wrist Action Handles, 3 5/8" Swivel/Rigid Gooseneck w/ 1.5 GPM Aerator & 1/2" NPT Female Inlets

Product Compliance:

ASME A112.18.1 / CSA B125.1
NSF 61 - Section 9
NSF 372 (Low Lead Content)
ANSI A117.1 (ADA)



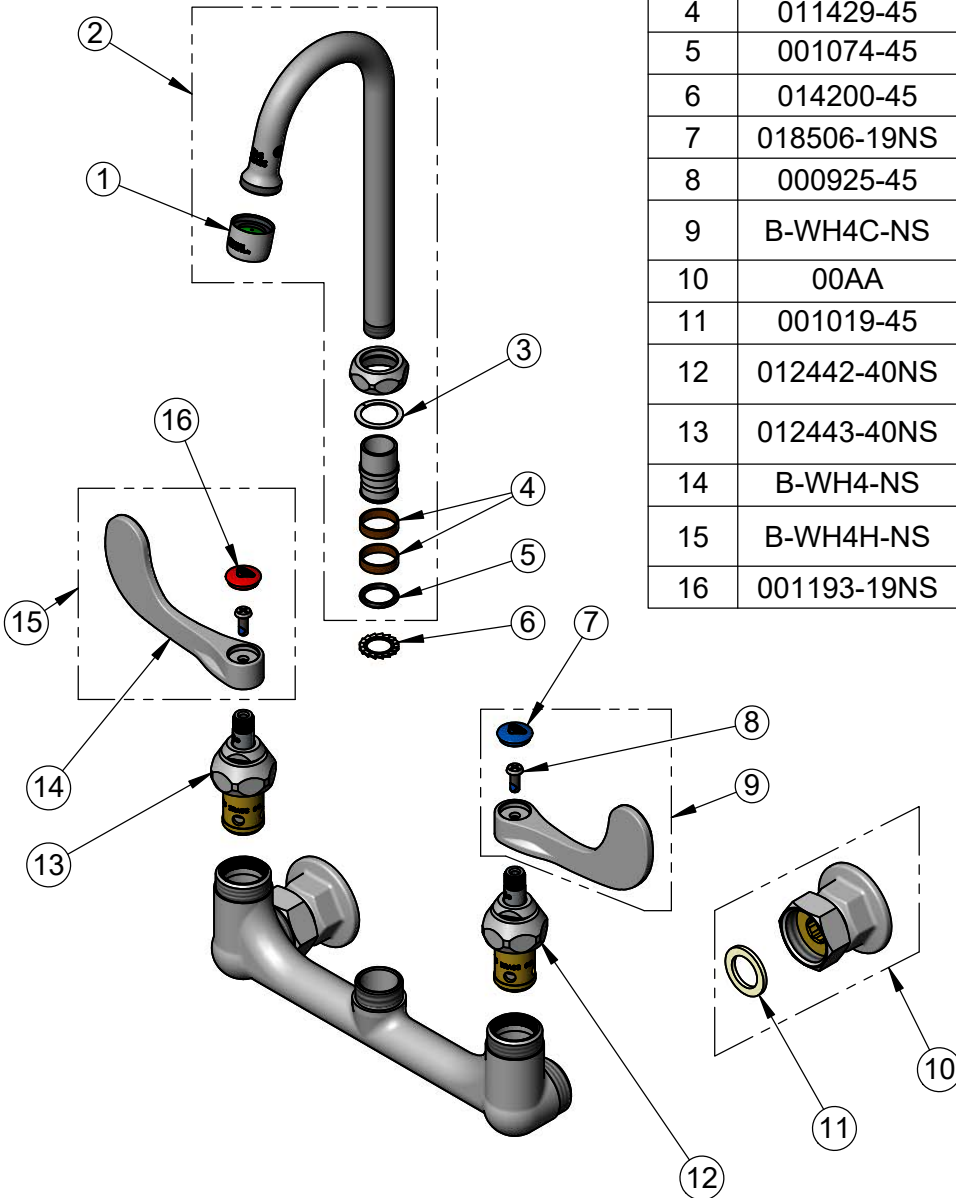
T&S BRASS AND BRONZE WORKS, INC.
 2 Saddleback Cove / P.O. Box 1088
 Travelers Rest, SC 29690

Model No.
B-0230-187XWS4

Item No.

Travelers Rest, SC: 800-476-4103 • Simi Valley, CA: 800-423-0150 • Fax: 864-834-3518 • www.tsbrass.com

ITEM NO.	SALES NO.	DESCRIPTION
1	B-0199-01-WS	1.5 GPM Aerator, 55/64-27 Female
2	187X-A15	3 5/8" Swivel Gooseneck w/ 1.5 GPM Aerator
3	009538-45	Swivel Washer
4	011429-45	Swivel Sleeves (2)
5	001074-45	O-Ring
6	014200-45	Star Washer, Anti-Rotation
7	018506-19NS	Blue Button Index, Press-in
8	000925-45	Lab Handle Screw
9	B-WH4C-NS	4" Wrist-Action Handle, Screw & Blue Index
10	00AA	1/2" NPT Female Eccentric Flange
11	001019-45	Coupling Nut Washer
12	012442-40NS	Quarter-Turn Eterna Cartridge w/ Spring Check, LTC
13	012443-40NS	Quarter-Turn Eterna Cartridge w/ Spring Check, RTC
14	B-WH4-NS	Wrist Action Handle - New Style
15	B-WH4H-NS	4" Wrist-Action Handle, Screw & Red Index
16	001193-19NS	Red Button Index, Press-in



Product Specifications:
 8" Wall Mount Mixing Faucet, Quarter-Turn Eterna Cartridges, 4" Wrist Action Handles, 3 5/8" Swivel/Rigid Gooseneck w/ 1.5 GPM Aerator & 1/2" NPT Female Inlets

Product Compliance:
 ASME A112.18.1 / CSA B125.1
 NSF 61 - Section 9
 NSF 372 (Low Lead Content)
 ANSI A117.1 (ADA)