



Architect/Engineering Specifications:

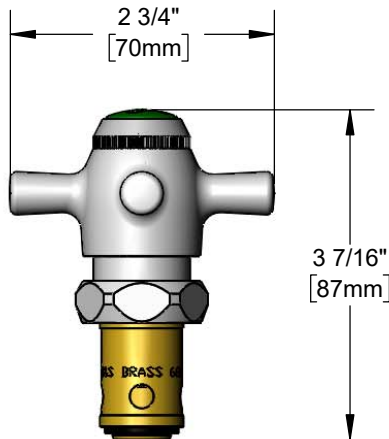
Fast self-closing cartridge for use in any standard T&S laboratory faucet. 4-arm handle with green, cold-water index. Certified to ASME A112.18.1/CSA B125.1, NSF 61 section 9 and NSF 372.

Job Name _____

Model Specified _____ Quantity _____

Variations Specified _____

Date _____



Features & Benefits:

- Fast self-closing cartridge for use in any standard T&S laboratory faucet
- 4-arm handle w/ green cold-water index
- Material: Chrome plated brass

Product Compliance:

- ASME A112.18.1 / CSA B125.1
- NSF 61 - Section 9
- NSF 372 (Low Lead Content)



Warranty: One Year (Limited)

Performance Data:

- Pressure: 20 - 125 psi [1.38 - 8.62 bar]
- Temperature: 40 °F - 140 °F [4.44 °C - 60 °C]
- Flow Rate: 3.78 GPM [14.3 L/min] @ 60 psi [4.14 bar]

(Outlet Device &/or Final Configuration May Reduce Flow Rate)

