



T&S BRASS AND BRONZE WORKS, INC.
 2 Saddleback Cove / P.O. Box 1088
 Travelers Rest, SC 29690

Model No.
B-0260-CR-177F

Item No.

Travelers Rest, SC: 800-476-4103 • Simi Valley, CA: 800-423-0150 • Fax: 864-834-3518 • www.tsbrass.com



ADA Compliant

This Space for Architect/Engineer Approval

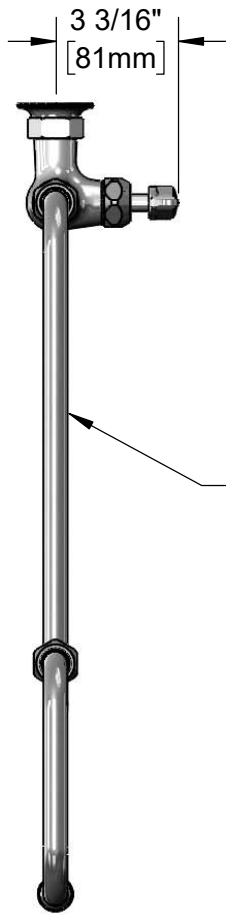
Job Name _____ Date _____

Model Specified _____ Quantity _____

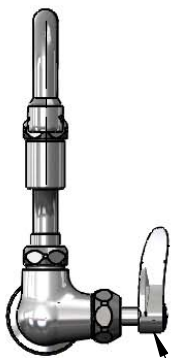
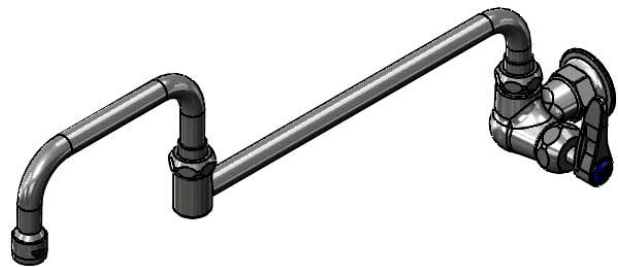
Customer/Wholesaler _____

Contractor _____

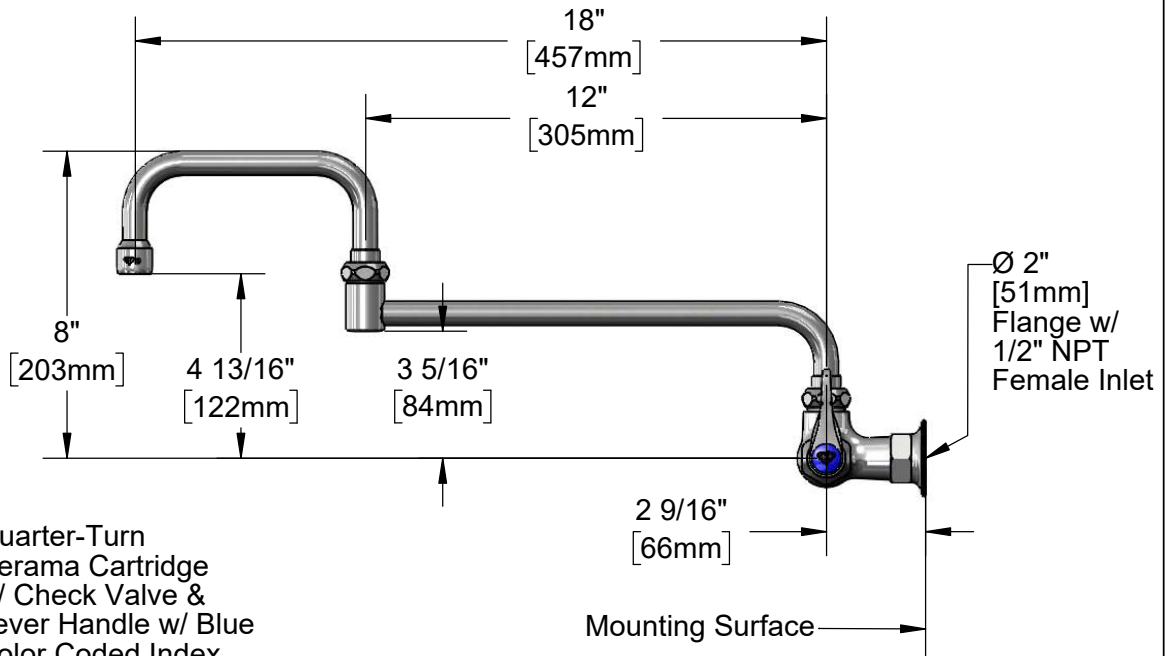
Architect/Engineer _____



068X
 18" Double Joint Swing Nozzle
 w/ Stream Regulator Outlet.
 Converts to Rigid w/
 014200-45
 Lock Washer (Included)



Quarter-Turn
 Cerama Cartridge
 w/ Check Valve &
 Lever Handle w/ Blue
 Color Coded Index



Product Specifications:

Single Hole Single Temperature Wall Mount Faucet, Quarter-Turn Cerama Cartridge w/ Check Valve, Lever Handle, 18" Double Joint Swing Nozzle w/ Stream Regulator Outlet & 1/2" NPT Female Inlet

Product Compliance:

ASME A112.18.1 / CSA B125.1
 NSF 61 - Section 9
 NSF 372 (Low Lead Content)
 ANSI A117.1 (ADA)



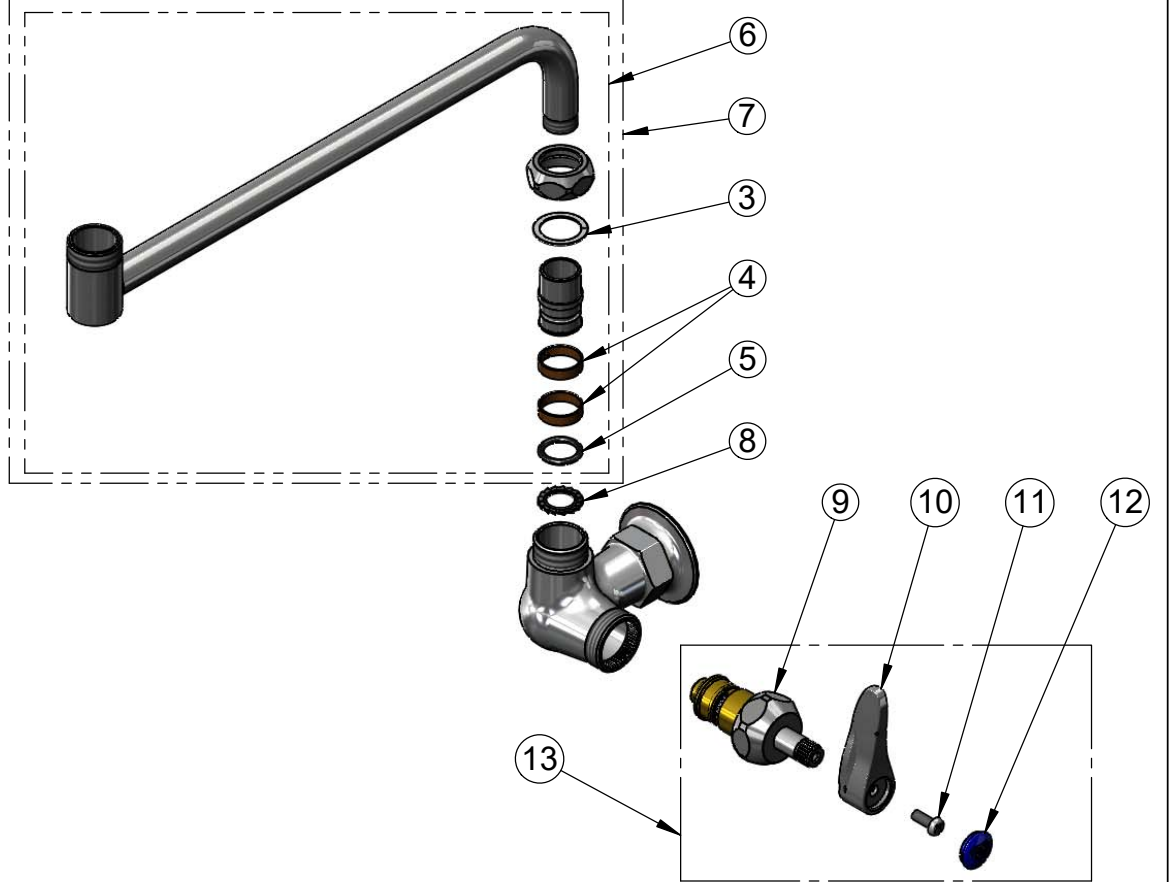
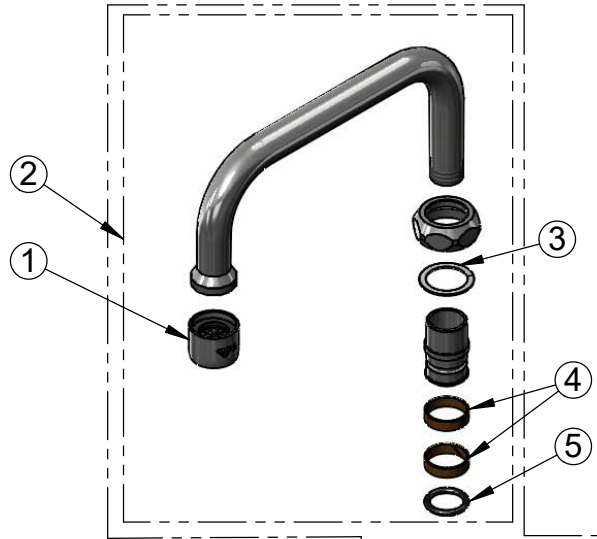
T&S BRASS AND BRONZE WORKS, INC.
 2 Saddleback Cove / P.O. Box 1088
 Travelers Rest, SC 29690

Model No.
B-0260-CR-177F

Item No.

Travelers Rest, SC: 800-476-4103 • Simi Valley, CA: 800-423-0150 • Fax: 864-834-3518 • www.tsbrass.com

ITEM NO.	SALES NO.	DESCRIPTION
1	B-PT	Stream Regulator Outlet
2	153X	6" Front Section
3	009538-45	Swivel Washer
4	011429-45	Swivel Sleeves (2)
5	001074-45	O-Ring
6	002871-40	12" Back Section
7	068X	18" Double Joint Swing Nozzle
8	014200-45	Star Washer, Anti-Rotation
9	012394-25NS	Quarter-Turn Cerama Cartridge w/ Check Valve, RTC
10	001638-45NS	Lever Handle (New Style)
11	000925-45	Lab Handle Screw
12	018506-19NS	Blue Button Index, Press-in
13	019641-25	Quarter-Turn Cerama Cartridge RTC w/ Check Valve, Handle, Blue Index & Screw



Product Specifications:
 Single Hole Single Temperature Wall Mount Faucet, Quarter-Turn Cerama Cartridge w/ Check Valve, Lever Handle, 18" Double Joint Swing Nozzle w/ Stream Regulator Outlet & 1/2" NPT Female Inlet

Product Compliance:
 ASME A112.18.1 / CSA B125.1
 NSF 61 - Section 9
 NSF 372 (Low Lead Content)
 ANSI A117.1 (ADA)