



**Pre-Rinse Accessories**  
**B-0104-A**

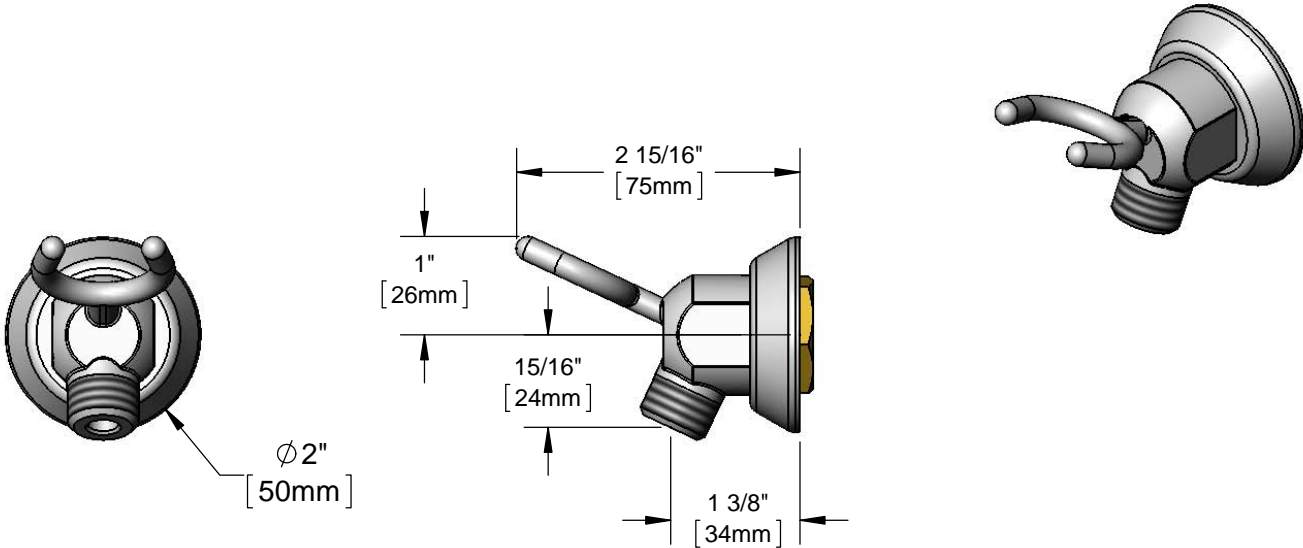
TAG:

*Wall Hook Outlet*

**Architect/Engineering Specifications:**

Polished chrome plated brass wall mount hook outlet with 2" diameter flange, 3/8" NPT female inlet and 3/8" male outlet. Certified to ASME A112.18.1/CSA B125.1, NSF 61-Section 9, and NSF 372.

Job Name \_\_\_\_\_  
 Model Specified \_\_\_\_\_ Quantity \_\_\_\_\_  
 Variations Specified \_\_\_\_\_  
 Date \_\_\_\_\_



**Features & Benefits:**

- Polished chrome plated brass wall mount hook outlet
- Ø2" wall flange
- 3/8" NPT female inlet
- 3/8" NPT male outlet
- Material: Polished chrome plated brass body and hook

**Product Compliance:**

- ASME A112.18.1 / CSA B125.1
- NSF 61 - Section 9
- NSF 372 (Low Lead Content)



**Warranty:** One Year (Limited)

**Performance Data:**

- Pressure: 20 - 125 psi
- Temperature: 40 °F - 140 °F
- Flow Rate: 18.8 GPM @ 60 psi



**T&S BRASS AND BRONZE WORKS, INC.**



• 2 Saddleback Cove • Travelers Rest, SC 29690  
 Ph 800-476-4103 • Fax 864-834-3518  
 • Simi Valley, CA • Ph 800-423-0150 • www.tsbrass.com

Date: 09/30/16