



T&S BRASS AND BRONZE WORKS, INC.
 2 SADDLEBACK COVE / P.O. BOX 1088 / TRAVELERS REST, SC 29690
 PHONE 800-476-4103 - FAX 864- 834-3518



Sales No.

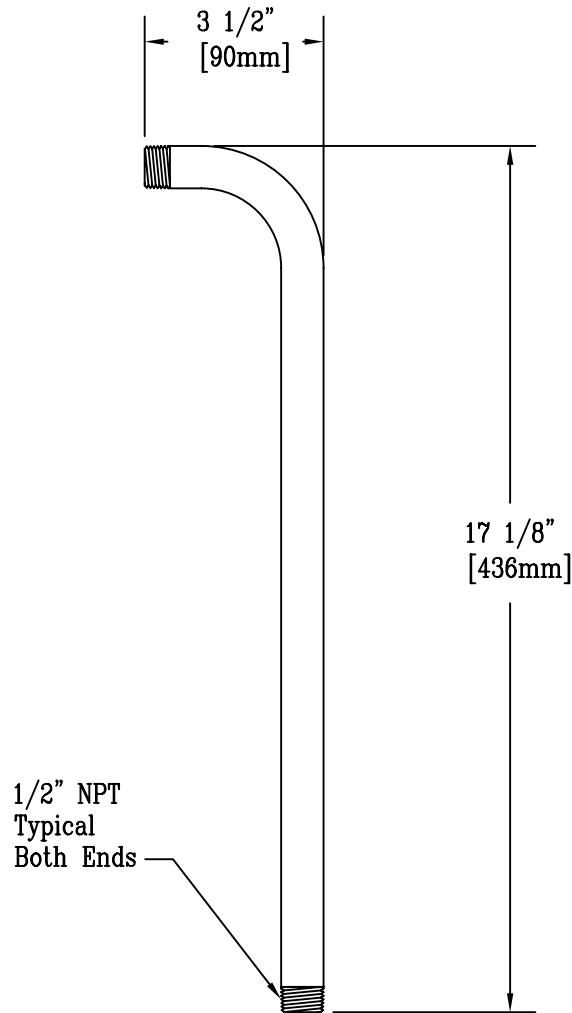
011985-40

RELIABILITY
 BUILT IN

Job Name:

Architect/Engineer Approval:

Notes:



Product Description:

B-0456-04
 Outlet Pipe

Drawn:

DHL

Checked

MAV

Scale:

1:4

Approved

JHB

Date:

04/17/08