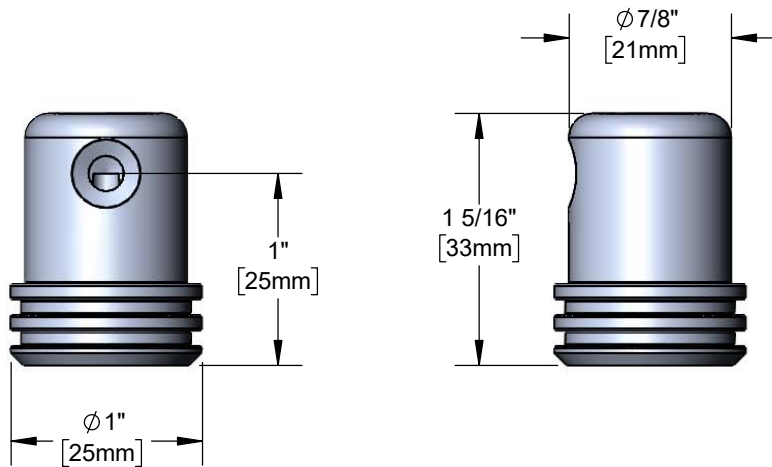
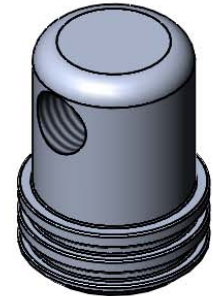




Architect/Engineering Specifications:

Rough chrome plated swivel piece with 1/8" NPT female outlet. Certified to NSF 61 Section 9 and NSF 372.

Job Name \_\_\_\_\_  
 Model Specified \_\_\_\_\_ Quantity \_\_\_\_\_  
 Variations Specified \_\_\_\_\_  
 Date \_\_\_\_\_



Features & Benefits:

- Swivel piece
- 1/8" NPT female outlet
- O-ring grooves
- Material: Rough chrome plated brass

Product Compliance:

- NSF 61 - Section 9
- NSF 372 (Low Lead Content)



Warranty: One Year (Limited)



Performance Data:

- N/A

