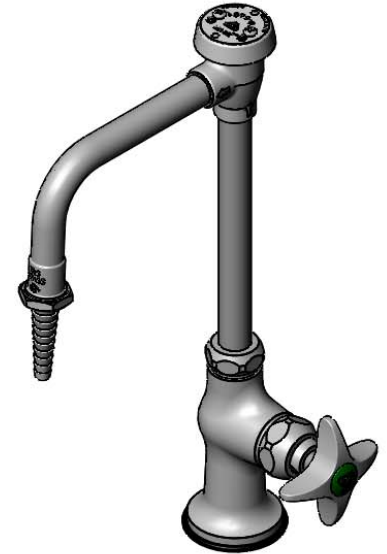
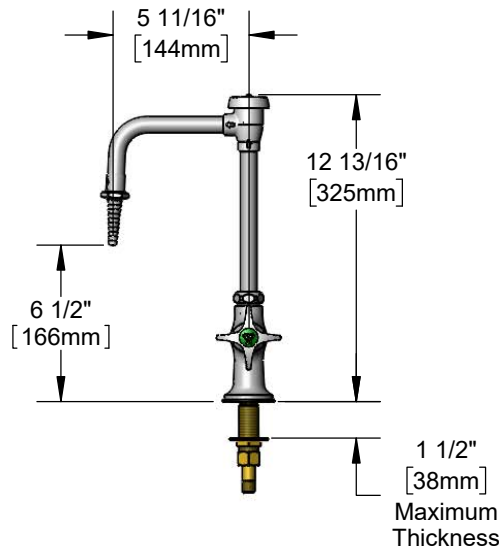
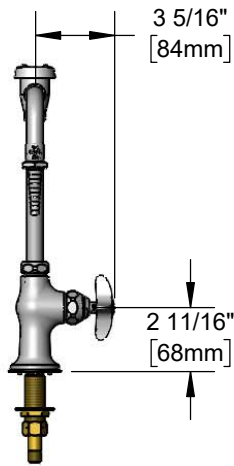




Architect/Engineering Specifications:

Single hole single temperature deck mount faucet with polished chrome plated brass body, swivel/rigid nozzle with vacuum breaker and serrated tip outlet with 0.5 GPM flow control, compression cartridge with spring check, 4-arm handle, vandal resistant handle screw and 1/2" NPSM male inlet. Certified to ASME A112.18.1 / CSA B125.1, NSF 61-Section 9, NSF 372 and ASSE 1001. Meets ADA ANSI/ICC A117.1 requirements.

Job Name _____
 Model Specified _____ Quantity _____
 Variations Specified _____
 Date _____



Features & Benefits:

- Single hole single temperature deck mount faucet w/ polished chrome plated brass body
- Polished chrome swivel nozzle w/ vacuum breaker
- Serrated tip outlet w/ 0.5 GPM flow control & washer
- Includes lock washer to convert swivel nozzle to rigid
- Quarter-turn Eterna compression cartridge w/ spring check
- 4-arm handle w/ VR screw & color coded index
- 1/2" NPSM male inlet
- (2) brass balls at bottom of faucet body for vandal resistance
- Material: Polished chrome plated brass body, tubular spout and handle and brass balls

Product Compliance:

- ASME A112.18.1 / CSA B125.1
- NSF 61 - Section 9
- NSF 372 (Low Lead Content)
- ANSI A117.1 (ADA)
- ASSE 1001 (VB)

Warranty: One Year (Limited)

Performance Data:

- Pressure: 20 - 125 psi
- Temperature: 40°F - 140°F
- Flow Rate: 0.5 GPM @ 60 psi



ADA Compliant



Optional Handles

- 4" Wrist Action
- Lever
- 4-Arm (Standard)

Optional Cartridges

- Quarter-Turn Cerama w/ Check Valve
- Quarter-Turn Eterna w/ Spring Check (Standard)

