



T&S BRASS AND BRONZE WORKS, INC.
 2 Saddleback Cove / P.O. Box 1088
 Travelers Rest, SC 29690

Model No.
BL-5755-01

Item No.

Travelers Rest, SC: 800-476-4103 • Simi Valley, CA: 800-423-0150 • Fax: 864-834-3518 • www.tsbrass.com



ADA Compliant

This Space for Architect/Engineer Approval

Job Name _____ Date _____

Model Specified _____ Quantity _____

Customer/Wholesaler _____

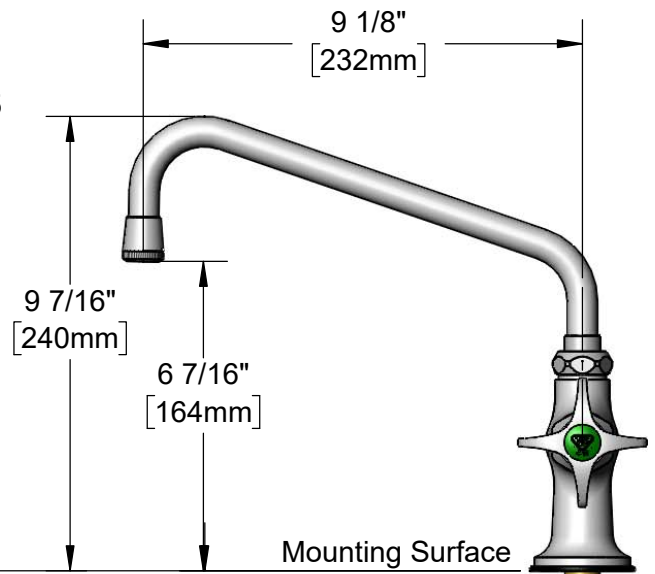
Contractor _____

Architect/Engineer _____



9" Swing Nozzle w/
 Stream Regulator Outlet.
 Converts to Rigid w/ 014200-45
 Lock Washer (Included).

Quarter-Turn Eterna Cartridge
 w/ Spring Check &
 4-Arm Lab Handle w/
 Color Coded Index



2 7/16" [61mm]
 Deck Gasket
 1/2" NPSM
 Male Inlet

1 1/2" [38mm]
 Maximum
 Thickness

150A
 Optional
 Tailpiece & Nut
 for 1/4" NPT
 Connection
 (Included)

Rough-In Requirement:
 Ø 1" [25mm] Mounting Hole

Product Specifications:
 Single Hole Single Temperature Laboratory Faucet, Quarter-Turn Eterna
 Cartridge w/ Spring Check, 4-Arm Lab Handle, 9" Swing Nozzle w/ Stream
 Regulator Outlet & 1/2" NPT Male Inlet

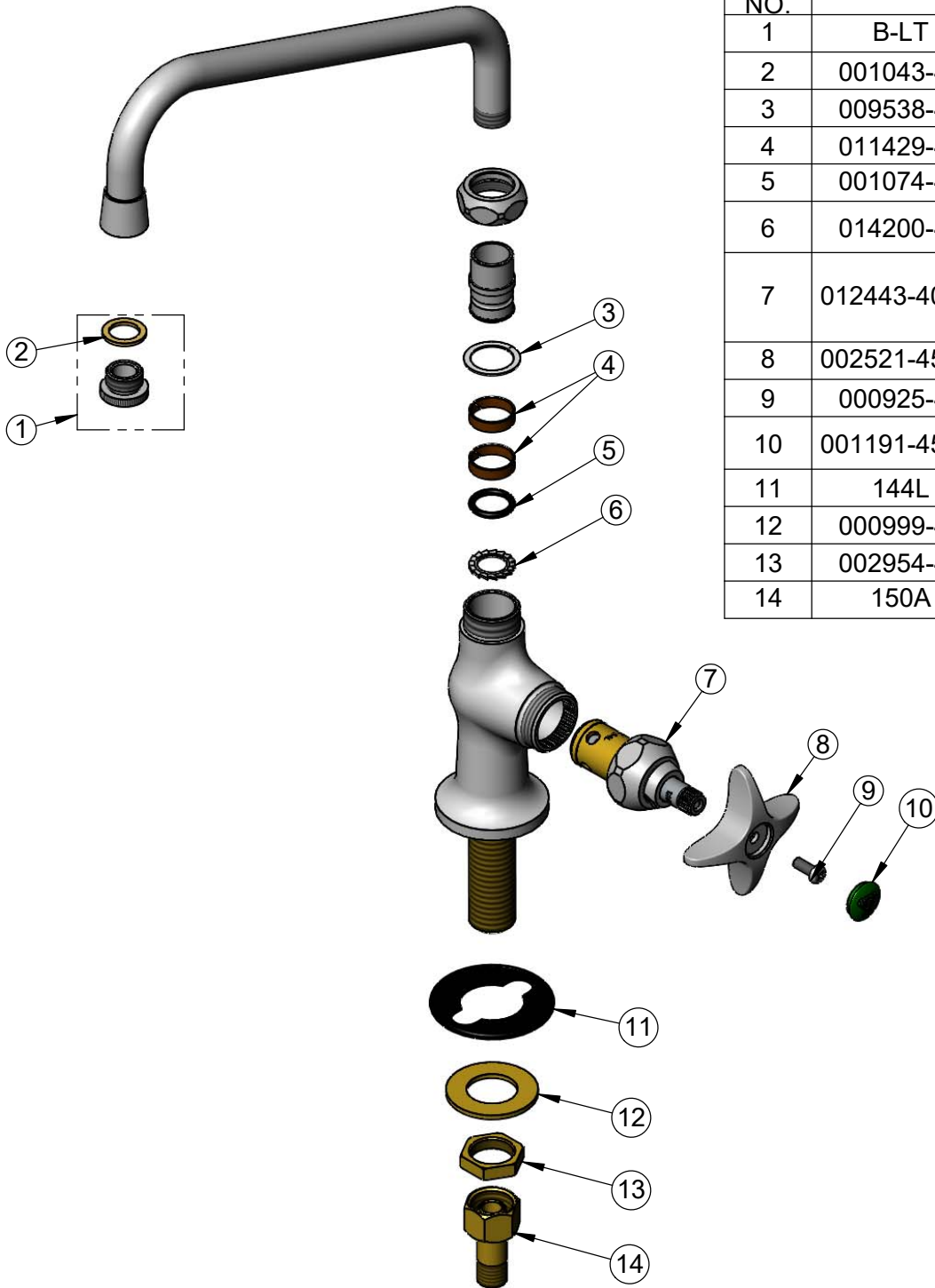
Product Compliance:
 ASME A112.18.1 / CSA B125.1
 NSF 61 - Section 9
 NSF 372 (Low Lead Content)
 ANSI A117.1 (ADA)



T&S BRASS AND BRONZE WORKS, INC.
 2 Saddleback Cove / P.O. Box 1088
 Travelers Rest, SC 29690

Model No.
BL-5755-01
 Item No.

Travelers Rest, SC: 800-476-4103 • Simi Valley, CA: 800-423-0150 • Fax: 864-834-3518 • www.tsbrass.com



ITEM NO.	SALES NO.	DESCRIPTION
1	B-LT	Stream Regulator Outlet
2	001043-45	Washer
3	009538-45	Swivel Washer
4	011429-45	Swivel Sleeves (2)
5	001074-45	O-Ring
6	014200-45	Star Washer, Anti-Rotation
7	012443-40NS	Quarter-Turn Eterna Cartridge w/ Spring Check, RTC
8	002521-45NS	4-Arm Handle (New Style)
9	000925-45	Lab Handle Screw
10	001191-45NS	Green "CW" Lab Button Index
11	144L	Black Plastic Deck Gasket
12	000999-45	Brass Lock Washer
13	002954-45	Shank Lock Nut
14	150A	1/4" NPT Tailpiece & Nut

Product Specifications:
 Single Hole Single Temperature Laboratory Faucet, Quarter-Turn Eterna Cartridge w/ Spring Check, 4-Arm Lab Handle, 9" Swing Nozzle w/ Stream Regulator Outlet & 1/2" NPT Male Inlet

Product Compliance:
 ASME A112.18.1 / CSA B125.1
 NSF 61 - Section 9
 NSF 372 (Low Lead Content)
 ANSI A117.1 (ADA)