



T&S BRASS AND BRONZE WORKS, INC.
 2 Saddleback Cove / P.O. Box 1088
 Travelers Rest, SC 29690

Model No.
001678-40

Item No.

Travelers Rest, SC: 800-476-4103 • Simi Valley, CA: 800-423-0150 • Fax: 864-834-3518 • www.tsbrass.com

This Space for Architect/Engineer Approval

Job Name _____ Date _____

Model Specified _____ Quantity _____

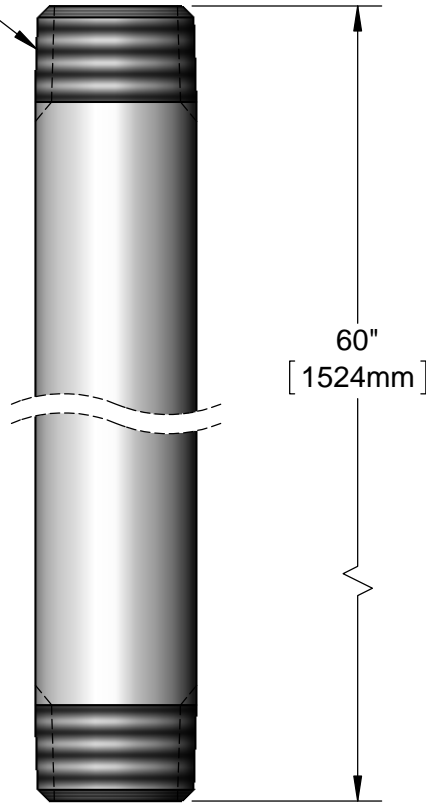
Customer/Wholesaler _____

Contractor _____

Architect/Engineer _____



1/2" NPT
 Male Thread
 Typ Both Ends



Finish: Chrome Plated

Product Specifications:
 1/2" NPT x 60" Long Nipple

Drawn KJG	Checked DMH	Approved JHB
Scale: 1:1		Date: 10/29/13