



T&S BRASS AND BRONZE WORKS, INC.
 2 SADDLEBACK COVE / P.O. BOX 1088 / TRAVELERS REST, SC 29690
 PHONE 800-476-4103 - FAX 864- 834-3518

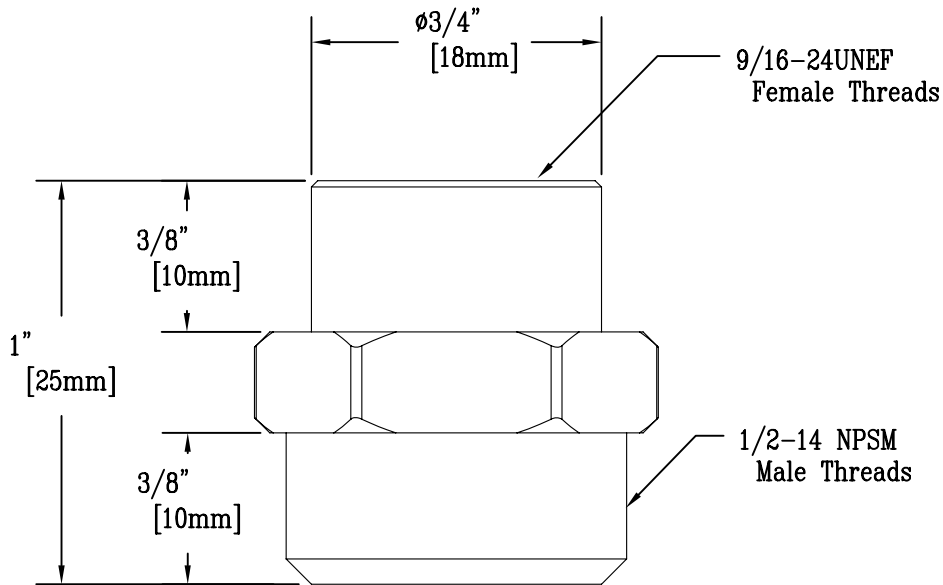
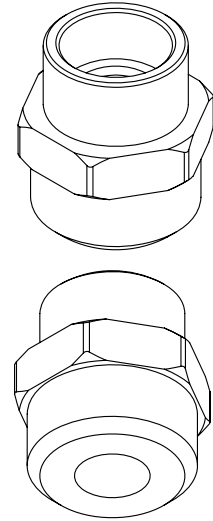
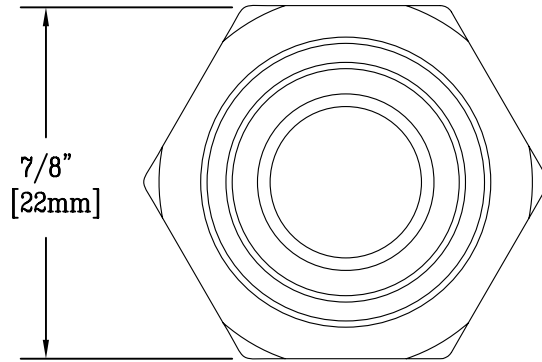


Sales No.
 016061-25
**RELIABILITY
 BUILT IN**

Job Name:

Architect/Engineer Approval:

Notes:



Product Description:
 Adapter (Chrome Plated)
 9/16-24UN Female x 1/2-14NPSM Male

Drawn:

Checked

Scale:

DHL

MAV

1:1

Approved

Date:

JHB

8/2/07