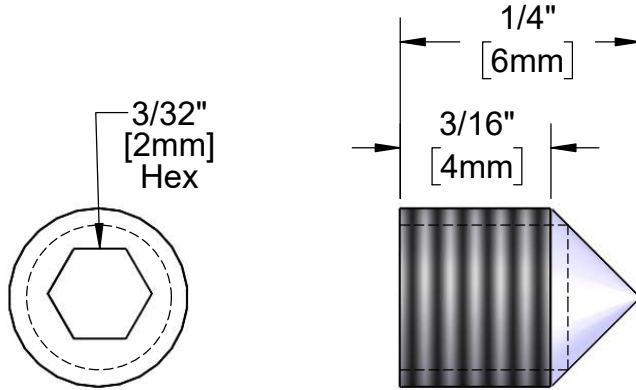
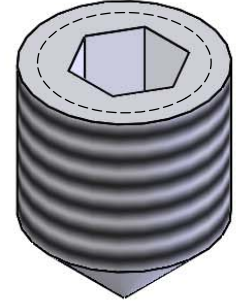




Architect/Engineering Specifications:

3/32" hex socket set screw with #10-32 UN male thread.

Job Name _____
 Model Specified _____ Quantity _____
 Variations Specified _____
 Date _____



Features & Benefits:

- Set screw
- 3/32" hex socket
- #10-32 UN male thread
- Material: Stainless steel

Product Compliance:

- N/A

Warranty: One Year (Limited)

Performance Data:

- N/A

