



T&S BRASS AND BRONZE WORKS, INC.
 2 SADDLEBACK COVE / P.O. BOX 1088 / TRAVELERS REST, SC 29690
 PHONE 800-476-4103 FAX 864- 834-3518



Sales No.

006848-40

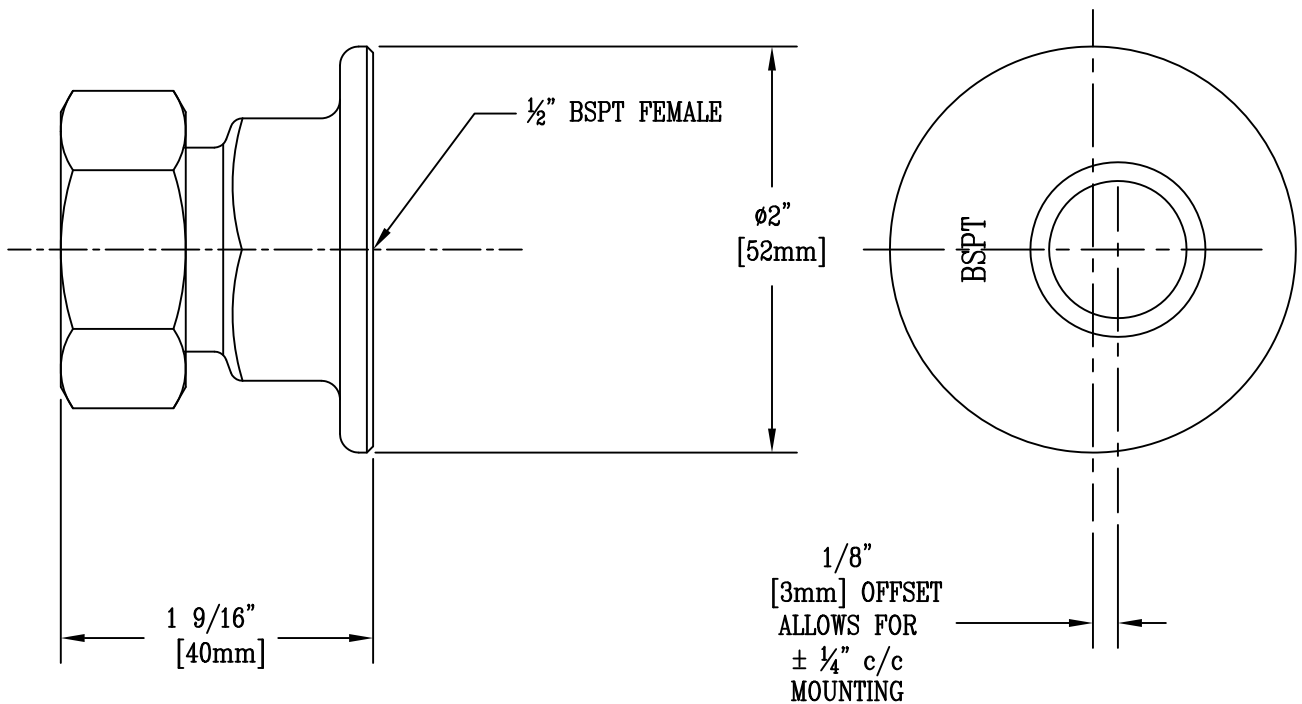
Item No.:

REG.#A2601
 ISO #9002

Job Name:

Architect/Engineer Approval:

Notes:



Product Description:

Drawn:

Checked

Scale:

WJS

JKD

1 : 1

Approved

Date:

MVW

9/11/02

1/2" BSPT FEMALE ECCENTRIC INLET FLANGE ASSEMBLY