



Architect/Engineering Specifications:

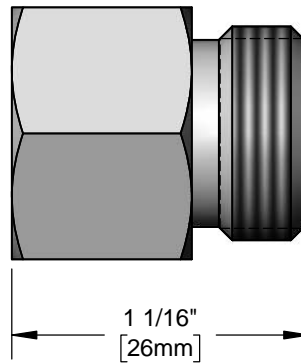
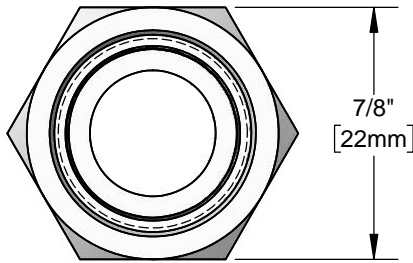
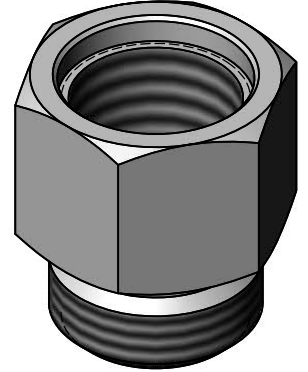
Rough chrome plated adapter with 3/8" NPT female thread and 3/4-14 male thread. Certified to NSF 61 - Section 9 and NSF 372.

Job Name _____

Model Specified _____ Quantity _____

Variations Specified _____

Date _____



Features & Benefits:

- Adapter
- 3/8" NPT female thread
- 3/4-14 male thread
- Material: Rough chrome plated brass

Product Compliance:

- NSF 61 - Section 9
- NSF 372 (Low Lead Content)



Warranty: One Year (Limited)

Performance Data:

- N/A

