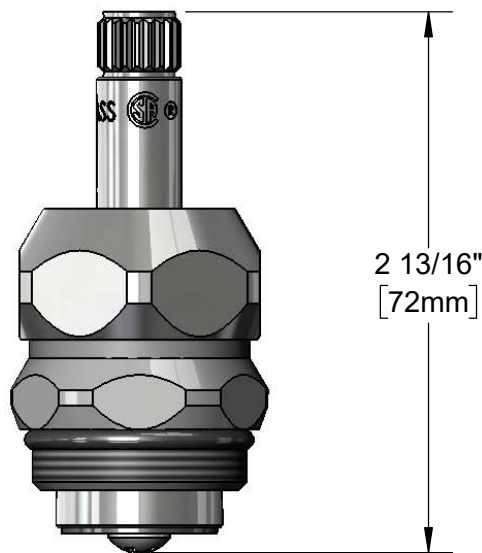




Architect/Engineering Specifications:

Large flow cartridge, RTC. Certified to NSF 61-Section 9 and NSF 372.

Job Name \_\_\_\_\_  
 Model Specified \_\_\_\_\_ Quantity \_\_\_\_\_  
 Variations Specified \_\_\_\_\_  
 Date \_\_\_\_\_



Features & Benefits:

- B-0290 Big-Flo cartridge, RTC
- 1 1/8-18 UN male threads
- Material: Chrome plated brass

Product Compliance:

- NSF 61 - Section 9
- NSF 372 (Low Lead Content)



Warranty: One Year (Limited)

Performance Data:

- N/A

