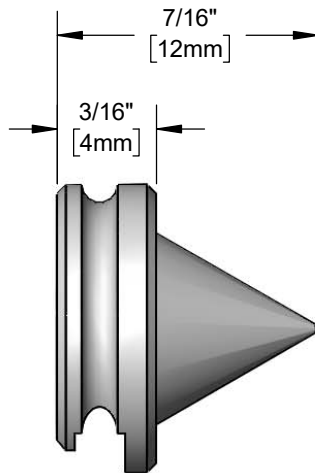
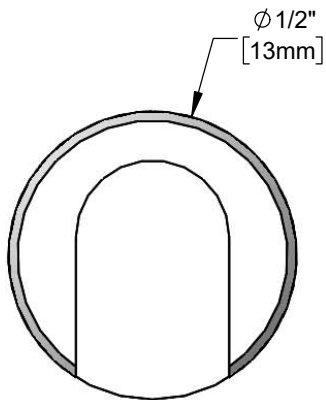
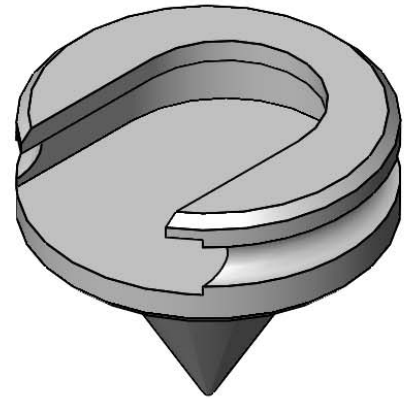




Architect/Engineering Specifications:

Stainless steel floating cone for BL-4500-01 spindle assembly

Job Name _____
 Model Specified _____ Quantity _____
 Variations Specified _____
 Date _____



Features & Benefits:

- Floating cone
- Material: Stainless steel

Product Compliance:

- N/A

Warranty: One Year (Limited)

Performance Data:

- N/A

