



# Pot and Kettle Fillers

## B-0600

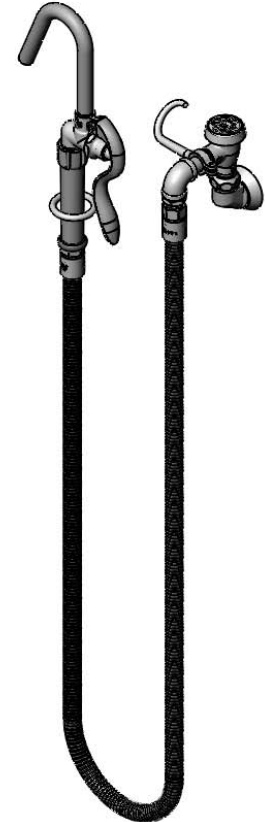
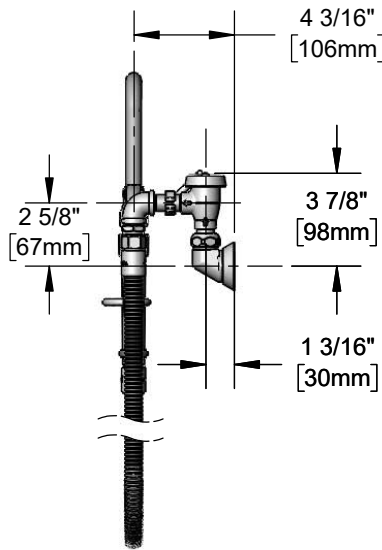
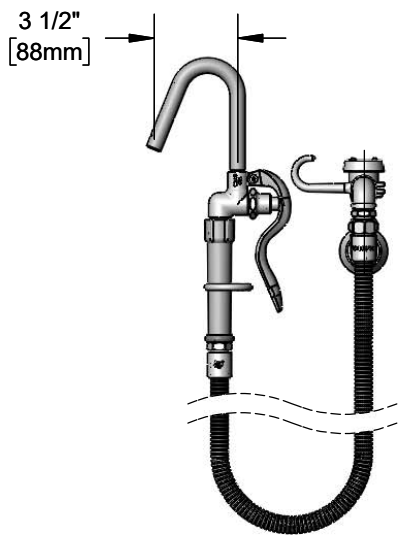
TAG:

### Pot and Kettle Filler

#### Architect/Engineering Specifications:

Wall mount pot and kettle filler, chrome plated brass body, atmospheric vacuum breaker, 68" flexible stainless steel hose, spray valve with hook nozzle and 1/2" NPT female inlet. Certified to ASME A112.18.1/CSA B125.1, NSF 61-Section 9, NSF 372 and ASSE 1001.

Job Name \_\_\_\_\_  
 Model Specified \_\_\_\_\_ Quantity \_\_\_\_\_  
 Variations Specified \_\_\_\_\_  
 Date \_\_\_\_\_



#### Features & Benefits:

- Wall mount pot and kettle filler
- Atmospheric vacuum breaker
- 68" flexible stainless steel hose w/ heat resistant gray handle and hold down ring
- Spray valve with hook nozzle
- 1/2" NPT female inlet with  $\phi 2"$  wall flange
- Material: Polished chrome plated brass spray valve body and stainless steel hose

#### Product Compliance:

- ASME A112.18.1 / CSA B125.1
- NSF 61 - Section 9
- NSF 372 (Low Lead Content)
- ASSE 1001 (VB)
- 2019 DOE PRSV Non-Compliant

**Warranty:** One Year (Limited)

#### Performance Data:

- Pressure: 20 - 125 psi [1.38 - 8.62 bar]
- Temperature: 40 °F - 140 °F [4.44 °C - 60 °C]
- Flow Rate: 4.80 GPM [18.17 L/min] @ 60 psi [4.14 bar]



T&S BRASS AND BRONZE WORKS, INC.



• 2 Saddleback Cove • Travelers Rest, SC 29690  
 Ph 800-476-4103 • Fax 864-834-3518  
 • Simi Valley, CA • Ph 800-423-0150 • www.tsbrass.com

Date: 03/03/20