



Architect/Engineering Specifications:

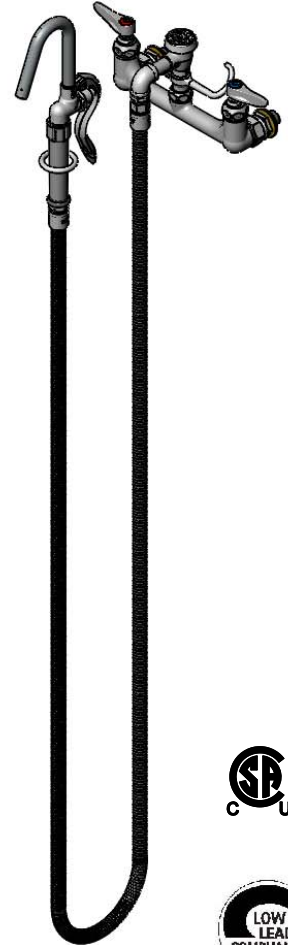
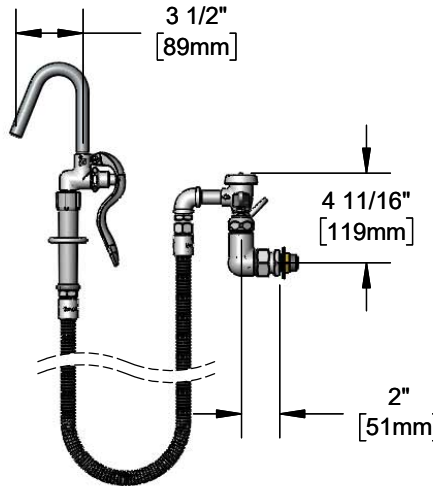
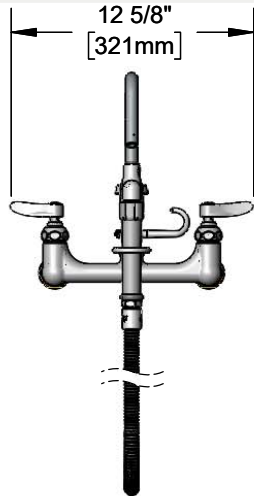
8" wall mount mixing faucet with chrome plated brass body, atmospheric vacuum breaker, 108" flexible stainless steel hose, spray valve with hook nozzle, compression cartridges with spring checks, lever handles and 1/2" NPT male inlets. Certified to ASME A112.18.1/CSA B125.1, NSF 61-Section 9, NSF 372 and ASSE 1001.

Job Name _____

Model Specified _____ Quantity _____

Variations Specified _____

Date _____



Features & Benefits:

- 8" wall mount mixing faucet w/ chrome plated brass body
- Atmospheric vacuum breaker
- 108" flexible stainless steel hose w/ heat resistant gray handle and hold down ring
- Spray valve with hook nozzle
- Quarter-turn Eterna compression cartridges with spring checks to prevent cross flow of water
- Lever handles w/ color coded indexes
- 1/2" NPT male inlets w/ 1 5/16" hex flanges
- Material: Polished chrome plated brass body & spray valve, chrome plated metal handles & vacuum breaker and stainless steel hose

Product Compliance:

- ASME A112.18.1 / CSA B125.1
- NSF 61 - Section 9
- NSF 372 (Low Lead Content)
- ASSE 1001 (VB)
- 2019 DOE PRSV Non-Compliant

Warranty: One Year (Limited)

Performance Data:

- Pressure: 20 - 125 psi [1.38 - 8.62 bar]
- Temperature: 40°F - 140°F [4.44 °C - 60 °C]
- Flow Rate: 3.68 GPM [13.93 L/min] @ 60 psi [4.14 bar]



Optional Handles

- 4" Wrist Action
- Lever (Standard)
- 4-Arm

Optional Cartridges With Checks

- Quarter-Turn Cerama w/ Check Valve
- Quarter-Turn Eterna w/ Spring Check (Standard)

