



**T&S BRASS AND BRONZE WORKS, INC.**  
 2 Saddleback Cove / P.O. Box 1088  
 Travelers Rest, SC 29690

Model No.  
**135X-LAM-VR**

Item No.

Travelers Rest, SC: 800-476-4103 • Simi Valley, CA: 800-423-0150 • Fax: 864-834-3518 • www.tsbrass.com

This Space for Architect/Engineer Approval

Job Name \_\_\_\_\_ Date \_\_\_\_\_

Model Specified \_\_\_\_\_ Quantity \_\_\_\_\_

Customer/Wholesaler \_\_\_\_\_

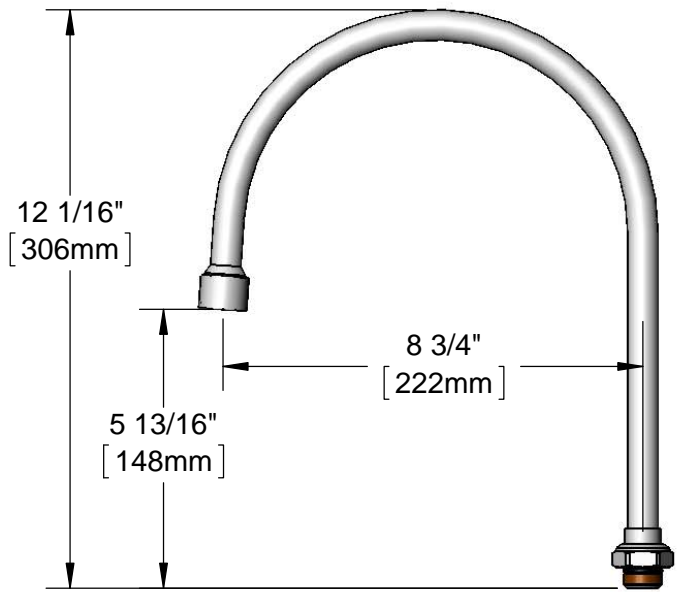
Contractor \_\_\_\_\_

Architect/Engineer \_\_\_\_\_



B-0199-21-VRF  
 VR 2.2 GPM  
 Laminar Flow  
 Device

Swivel Joint Fits  
 All Standard T&S  
 Swivel Outlets



Product Specifications:  
 Swivel Gooseneck w/ 8 3/4" Spread & VR 2.2 GPM Laminar Flow Device

Drawn <b>KJG</b>	Checked <b>DMH</b>	Approved <b>JHB</b>
Scale: <b>1:4</b>		Date: <b>10/04/13</b>