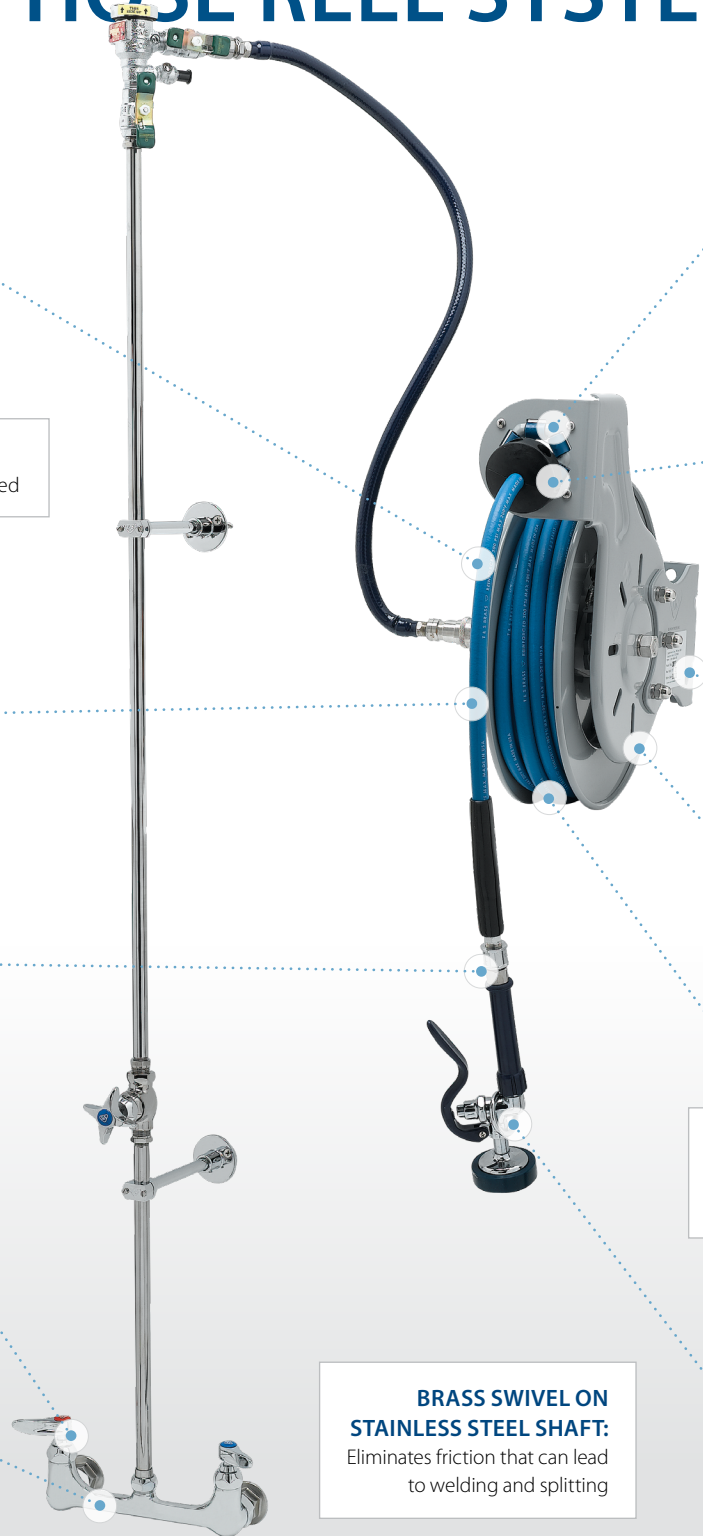


Explore the sturdy, reliable T&S HOSE REEL SYSTEMS



HOSE LENGTH AND DIAMETER CHOICES:
3/8" or 1/2" hose with lengths ranging from 15' to 50'

ANTI-LOCKOUT RATCHET DESIGN:
Hose retracts freely even when fully extended

DURABLE HOSE:
Nitrile tube with reinforced steel wire braid is more durable than typical rubber and prevents kinking

HOSE SWIVEL:
Allows 360-degree rotation of outlet device to prevent strain on hose and user

CHOICE OF CARTRIDGE:
Cerama ceramic cartridge or Eterna compression cartridge

VARIETY OF BASE SYSTEMS:
Wall mount, deck mount, concealed base and cabinet bases available

PROTECTED HOSE OUTLET:
Allows free movement and extends the life of the hose

ADJUSTABLE STOP:
Prevents hose from retracting completely into reel and allows users to set length of accessible hose for easy reach

MOUNTING BRACKET OPTIONS:
Wall mount swing brackets, pivot brackets for ceiling or tabletop, or table leg bracket

STAINLESS STEEL OR EPOXY-COATED REEL

OPEN OR CLOSED REEL OPTIONS:
Open reels allow easy cleaning of the hose. Closed reels keep the hose out of sight.

BRASS SWIVEL ON STAINLESS STEEL SHAFT:
Eliminates friction that can lead to welding and splitting

7 OUTLET DEVICE OPTIONS:
Spray valves, front or rear trigger water guns, or extended spray wand



INCLUDES COMPONENTS FOR EFFICIENT, CODE-COMPLIANT INSTALLATION:
Quick disconnects, vacuum breakers, flexible hose connections



SMART MODEL NUMBER SYSTEM
for easy specification and ordering

Easy Install

EASYINSTALL BRACKET
available for one-person installation



DURABLE CONSTRUCTION