

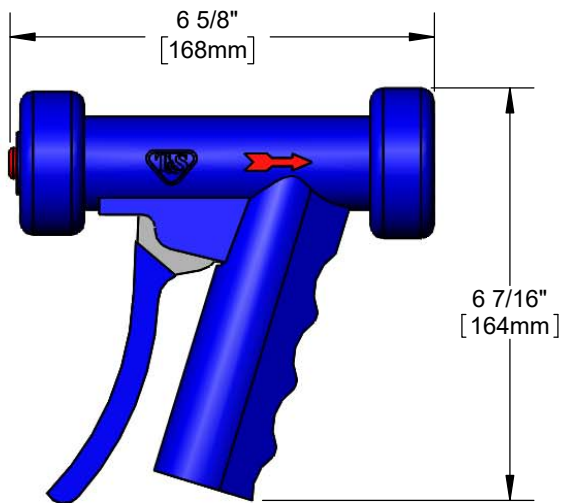


*Aluminum Rear Trigger Water Gun*

**Architect/Engineering Specifications:**

Heavy duty rear trigger water gun, aluminum with blue rubber cover, Ø 5/16" flow orifice and 1/2" NPT x 3/4" hose barb adapter.

Job Name \_\_\_\_\_  
 Model Specified \_\_\_\_\_ Quantity \_\_\_\_\_  
 Variations Specified \_\_\_\_\_  
 Date \_\_\_\_\_



**Features & Benefits:**

- Heavy duty rear trigger water gun
- Aluminum with blue rubber cover
- Ø 5/16" flow orifice
- 1/2" NPT x 3/4" hose barb adapter
- Automatic shut-off
- Material: Aluminum and rubber

**Product Compliance:**

- NSF 61 Exempt (Non-Potable)

**Warranty:** One Year (Limited)

**Performance Data:**

- Pressure: 20 - 125 psi [1.38 - 8.62 bar]
- Temperature: 40 °F - 150 °F [4.44 °C - 65.55 °C]
- Flow Rate: 8.15 GPM [30.85 L/min] @ 60 psi [4.14 bar]

