



Architect/Engineering Specifications:

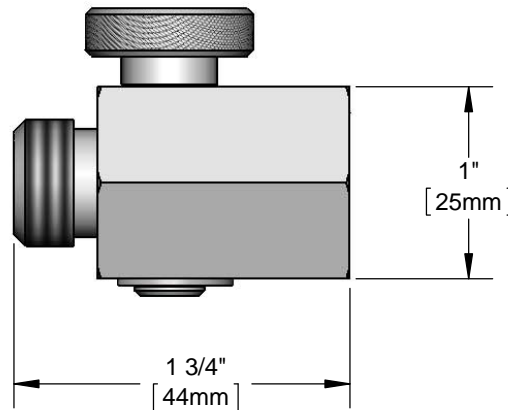
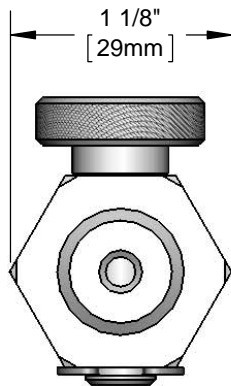
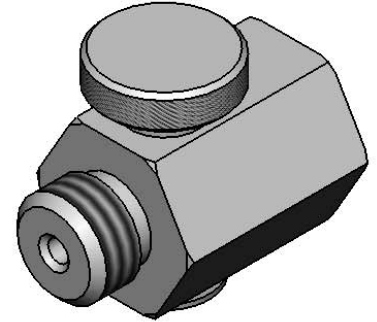
Polished chrome plated rigid nozzle volume control unit with 3/8" NPT male inlet and female outlet. Certified to ASME A112.18.1 / CSA B125.1, NSF 61-Section 9, and NSF 372 .

Job Name _____

Model Specified _____ Quantity _____

Variations Specified _____

Date _____



Features & Benefits:

- Polished chrome plated volume control unit
- 3/8" NPT male inlet and female outlet
- Material: Polished chrome plated brass body

Product Compliance:

- ASME A112.18.1 / CSA B125.1
- NSF 61 - Section 9
- NSF 372 (Low Lead Content)

Warranty: One Year (Limited)

Performance Data:

- Pressure: 20 - 125 psi
- Temperature: 40°F - 140°F
- Flow Rate: 0.1 GPM to 3.0 GPM @ 60 psi

