



# Epoxy Coated Retractable Hose Reels

TAG:

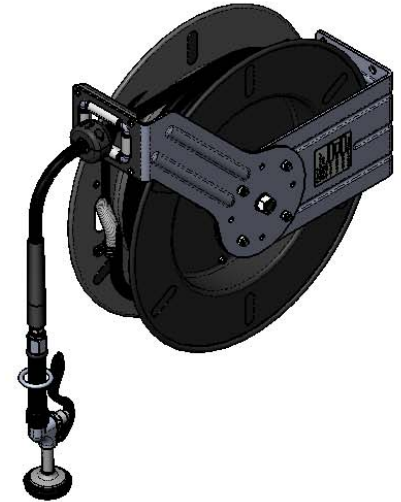
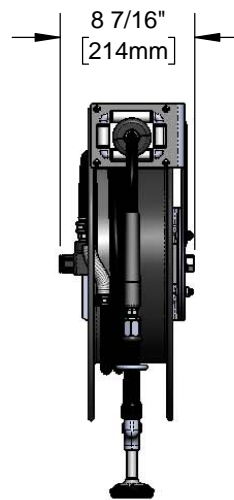
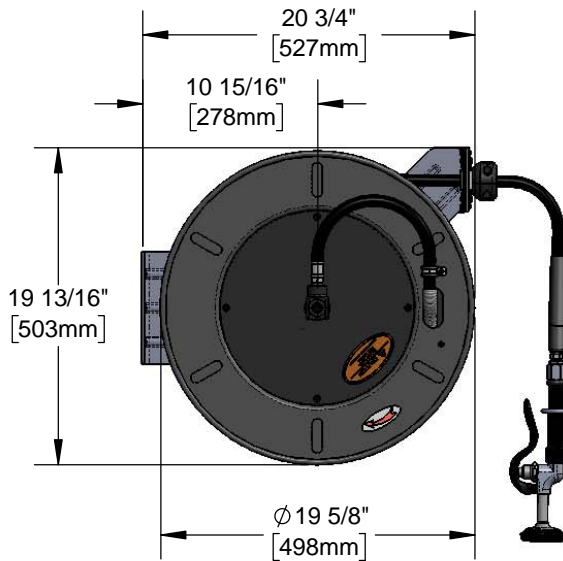
## 5HR-242-01-A

## Open Epoxy Coated Steel Hose Reel

### Architect/Engineering Specifications:

Open epoxy coated steel hose reel, high flow spray valve, 3/8" x 50' hose, ratcheting system, multi-fit bracket, adjustable hose bumper and 3/8" NPT female inlet and 3/8" NPT male x 1/2" NPT reducing adapter.

Job Name \_\_\_\_\_  
 Model Specified \_\_\_\_\_ Quantity \_\_\_\_\_  
 Variations Specified \_\_\_\_\_  
 Date \_\_\_\_\_



### Features & Benefits:

- Open coated hose reel
- Black high flow spray valve
- 3/8" x 50' hose
- Ratcheting system holds the length of hose until a slight tug to retract automatically
- 3/8" NPT female inlet
- 3/8" NPT male x 1/2" NPT reducing adapter included
- Adjustable hose bumper
- Multi-fit bracket for wall, ceiling or under counter mounting
- Material: Epoxy coated steel open reel and wall bracket, polished chrome plated spray valve

### Product Compliance:

- EPA Act 2005 Non-Compliant (PRSV)
- NSF 61 Exempt (Non-Potable)

### Warranty: One Year (Limited)

- Hose: One Year (Limited)

### Performance Data:

- Pressure: 20 - 125 psi
- Temperature: 40 °F - 140 °F
- Flow Rate: 2.53 GPM @ 60 psi



equip Foodservice Accessories



• 2 Saddleback Cove • Travelers Rest, SC 29690  
Ph 800-891-4808 • Fax 800-868-0084  
www.tsbrass.com

Date: 04/06/17