



Faucet Accessories

S-TEE-RGD

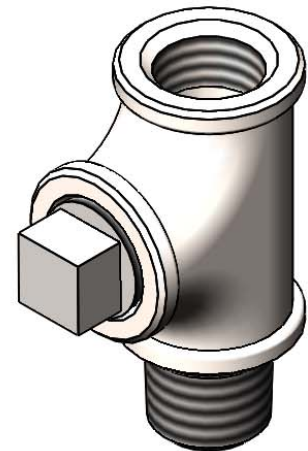
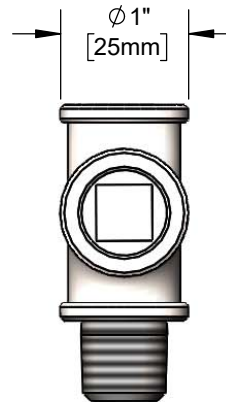
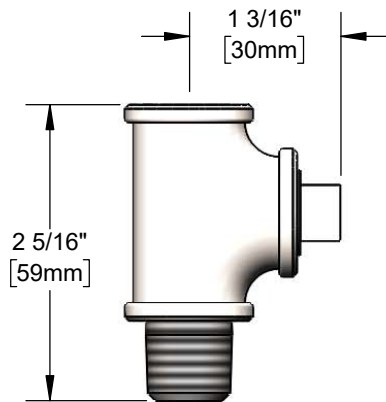
TAG:

Rigid Tee Assembly

Architect/Engineering Specifications:

Stainless steel rigid tee assembly with 3/8" NPT female outlet, 3/8" NPT male inlet, 3/8" pipe plug and 3/8" hex L-key included. Certified to ASME A112.18.1/CSA B125.1, NSF 61-Section 9 and NSF 372.

Job Name _____
 Model Specified _____ Quantity _____
 Variations Specified _____
 Date _____



Features & Benefits:

- Stainless steel rigid tee assembly
- 3/8" NPT female outlet
- 3/8" NPT male inlet
- 3/8" pipe plug
- 3/8" hex L-key included
- Material: Stainless steel

Product Compliance:

- ASME A112.18.1 / CSA B125.1
- NSF 61 - Section 9
- NSF 372 (Low Lead Content)



Warranty: One Year (Limited)

Performance Data:

- N/A



T&S BRASS AND BRONZE WORKS, INC.



• 2 Saddleback Cove • Travelers Rest, SC 29690
 Ph 800-476-4103 • Fax 864-834-3518
 • Simi Valley, CA • Ph 800-423-0150 • www.tsbrass.com

Date: 09/15/21